

LINDNER



**URRACO 75
MOBILE SHREDDING**

**STOPS FOR
NOTHING.**

ONLY LINDNER CLIENTS CAN TRULY SAY:

WINS HANDS DOWN.



1. ROBUST TWIN-ROTOR CUTTING SYSTEM

Incredibly productive thanks to aggressive intake and synchronous running of the shafts.

Maximum resistance with our fully welded crushers, rippers, scrapers and breaker bars.

Adapts perfectly to the material thanks to shaft pairs available in different designs.



2. POWERFUL DIESEL ENGINE

Efficient shredding with our 375 hp diesel engine from Scania.

Complies with all exhaust gas regulations thanks to our state-of-the-art SCR system.

Particularly long service life ensured by an ideal interaction between the engine and the hydraulics.

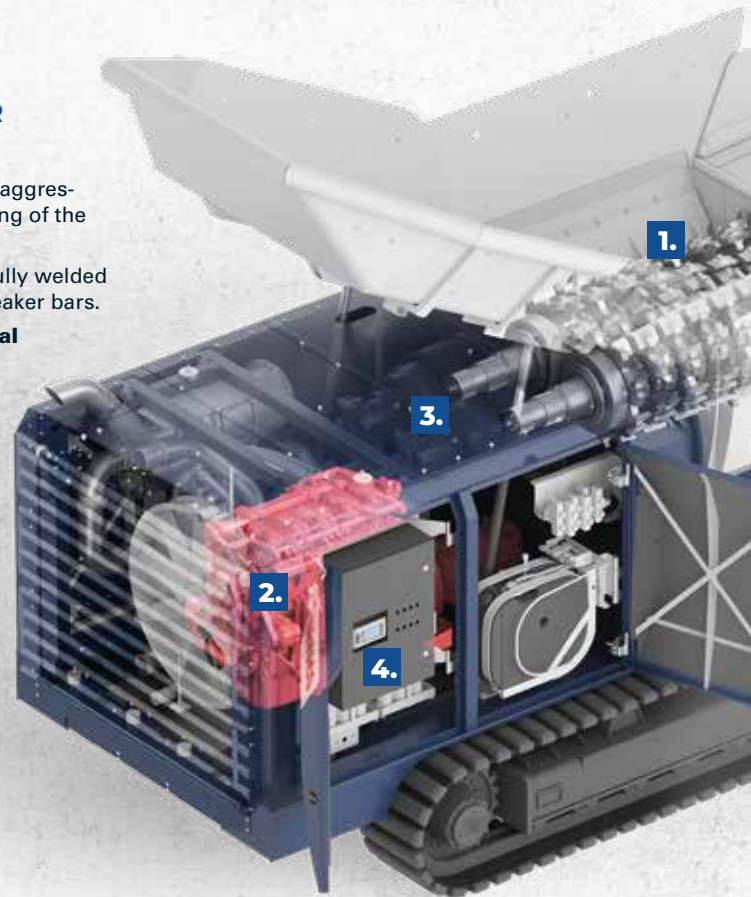


3. PROVEN MOBILE HYDRAULICS

High throughput thanks to the self-regulating hydrostatic drive.

Effective shredding even of difficult materials with a torque of up to 240,000 Nm.

Safe operation owing to the lightning speed automatic detection of non-shreddables.



GIVES YOU ALL THE ADVANTAGES OF MOBILE SHREDDING WHILE BEING EXTREMELY COMPACT:

Robustly engineered and equipped with a powerful engine, the Lindner Urraco 75 shreds even difficult materials. Depending on the degree of mobility needed, the machine is available in two chassis versions: either with a wheel axle and tow bar, suitable for hook-lift transport and easy placing on the ground, or with a heavy tracked chassis for full mobility on site. Enjoy powerful shredding in an extremely compact form.

5.

4. EASY-TO-USE CONTROL

Simple operation and parameter-setting thanks to the intuitive touchscreen user interface.

Convenient shredder operation from the wheel loader with our customisable remote control.

Easy manoeuvring of tracked machines thanks to the joystick remote control.



5. WELL-ENGINEERED MATERIAL FEED AND DISCHARGE SYSTEMS

Consistent output with our smart double tilting hopper system.

Low dust emissions due to hydraulic height-adjustable conveyor belt, which can be even adjusted during operation.

Separate ferrous metals with optional integrated over-belt magnet.



6.

6. MADE-TO-MEASURE CHASSIS

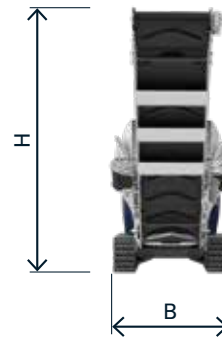
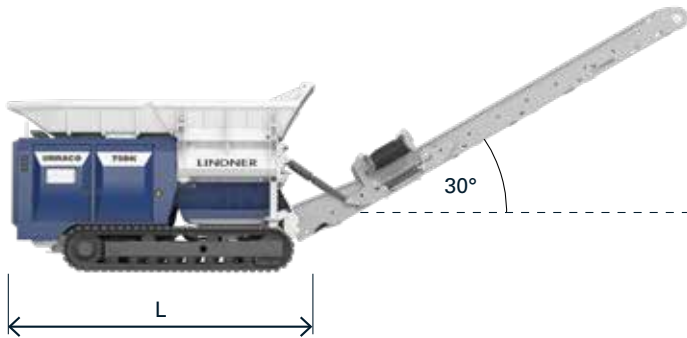
Easy transport and raising and lowering of the machine with standard hook-lift trucks (U75D).

Easy placing on the ground with wheel axle and drawbar.

Full mobility on-site thanks to tracked chassis (U75DK).



TECHNICAL DATA



		URRACO 75D	URRACO 75DK
Drive Power Diesel	hp	375	375
Exhaust Gas Standard		EU Stage IV (USTier 4f) / EU Stage IIIA	
Type		Hook	Track
Shaft Length	mm	2 x 1500	2 x 1500
Max. torque	Nm	240.000	240.000
Total Weight	t	18,5	22
Measure (LxBxH)	mm	7000 x 2500 x 2700	7000 x 2500 x 2900
Discharge Height (at 30°)	mm	4400	4600

*The stated values refer to standard machine versions with a standard hopper and raised feet. The right to make technical changes is reserved.

SHAFTS FINE

The specialist for the fine grain



Waste wood A1 – A2
Biomass
Green cuttings
Rootstocks
Paper rolls
Tarpaper
Plastics
etc.

Output: 100 – 200 mm

SHAFTS ROUGH

The specialist for the rough stuff



Waste wood A1 – A4
Household refuse
Bulky commercial
Waste
Rootstocks
Railway sleepers
Metals
Light iron scrap
Light aluminium scrap
Electronic scrap
etc.

Output: 300 – 500 mm



Magnetic separator of ferrous material



Water sprinkling system



engine compartment extinguishing system



Extended wear protection

Lindner-Recyclingtech GmbH

Villacher Straße 48 | 9800 Spittal/Drau | Austria

t.: +43 4762 2742 | f.: +43 4762 2742-9032 | office@l-rt.com

www.l-rt.com