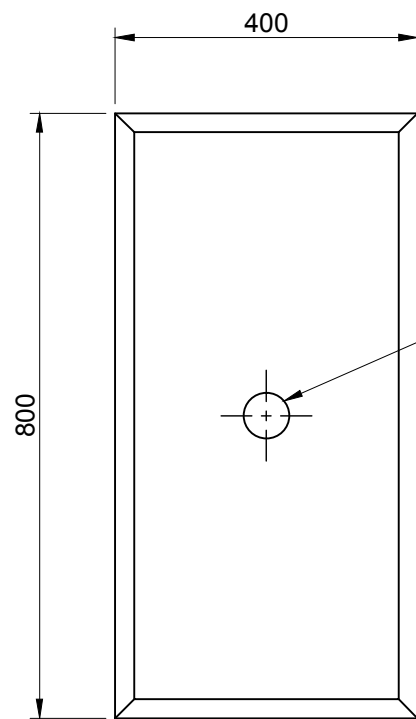
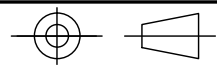
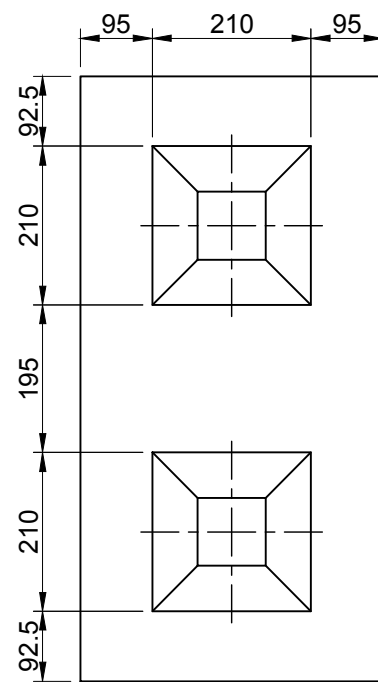


PROJECTION

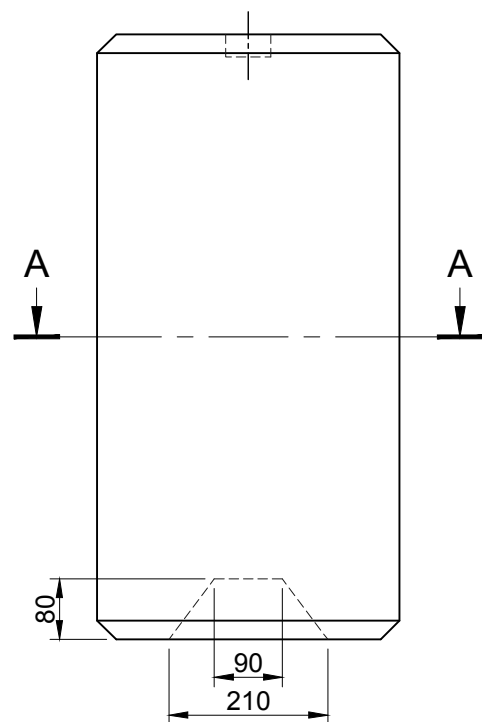


Plan

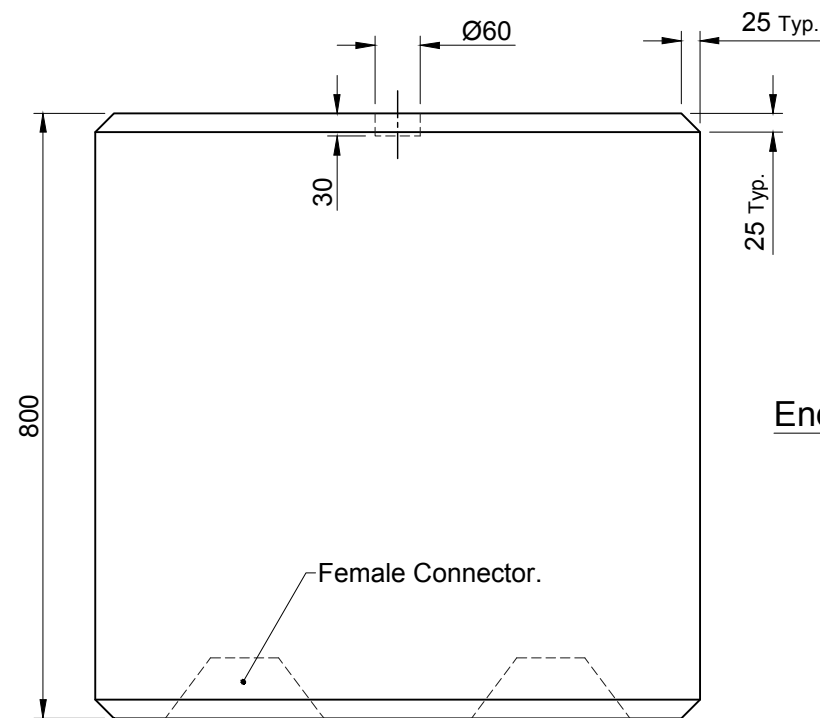
Ø60mm Dia Semi-Spherical Recess
in Gravitational Centre of Block for
'Deha' type Lifting Pin (n.b. Lifting
Pin 180mm Long).
(Lifting Pin is rated to 5.0 tonnes
with a safety factor of 3).



Section on Arrow A - A



Elevation



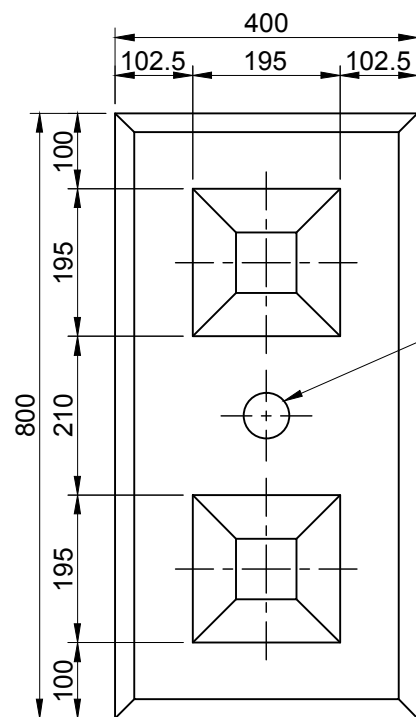
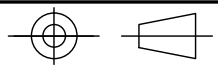
End

Total Block Weight : 540Kg

Note :
Some details omitted for clarity.

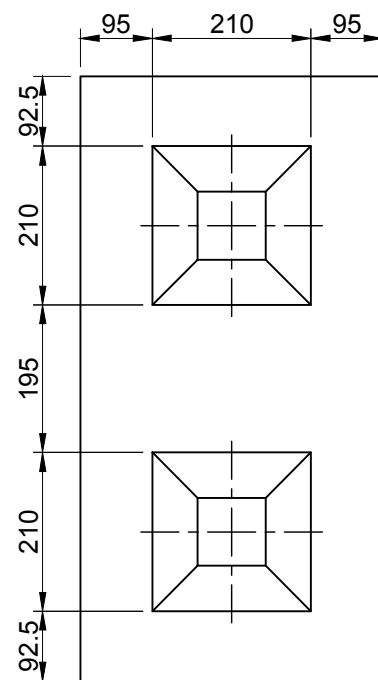
REV	DATE	REASON FOR ISSUE	DRN	APP	REV	DATE	REASON FOR ISSUE	DRN	APP				
					O	13.11.13	For Information	CTC	RD				
TITLE :					ELITE PRECAST CONCRETE LIMITED								
Legato™ Interlocking Block					HALESFIELD 9, TELFORD								
400 x 800 x 800mm (F Connectors)					SHROPSHIRE TF7 4QW								
Elite Product Code : LG1													
DRN :	CTC	CHKD :	RD	DATE :	13-11-13	DRG SIZE :	A3	SCALE :	1:10	DRG	145	REV	O

PROJECTION

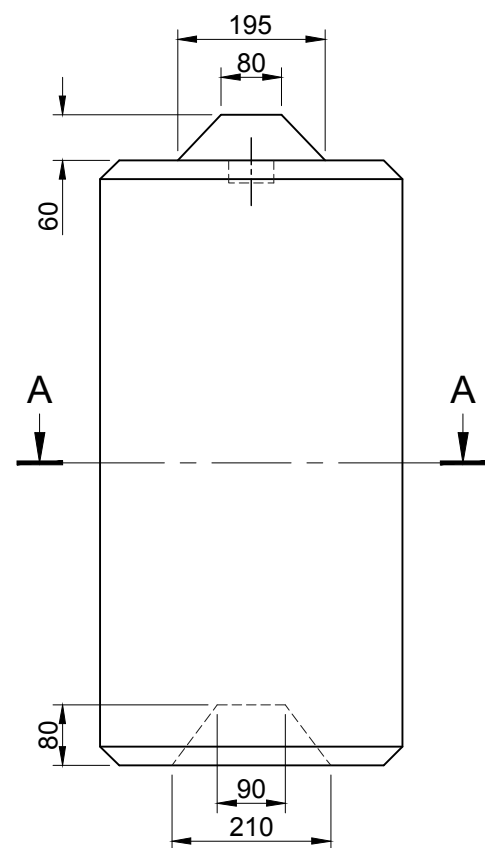


Plan

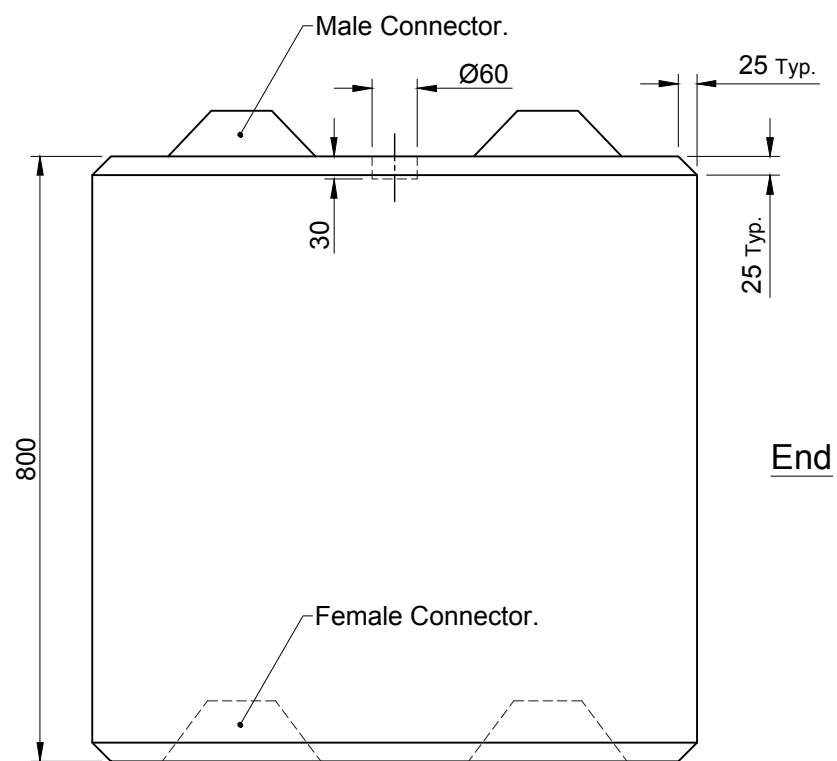
Ø60mm Dia Semi-Spherical Recess in Gravitational Centre of Block for 'Deha' type Lifting Pin (n.b. Lifting Pin 180mm Long). (Lifting Pin is rated to 5.0 tonnes with a safety factor of 3).



Section on Arrow A - A



Elevation



End

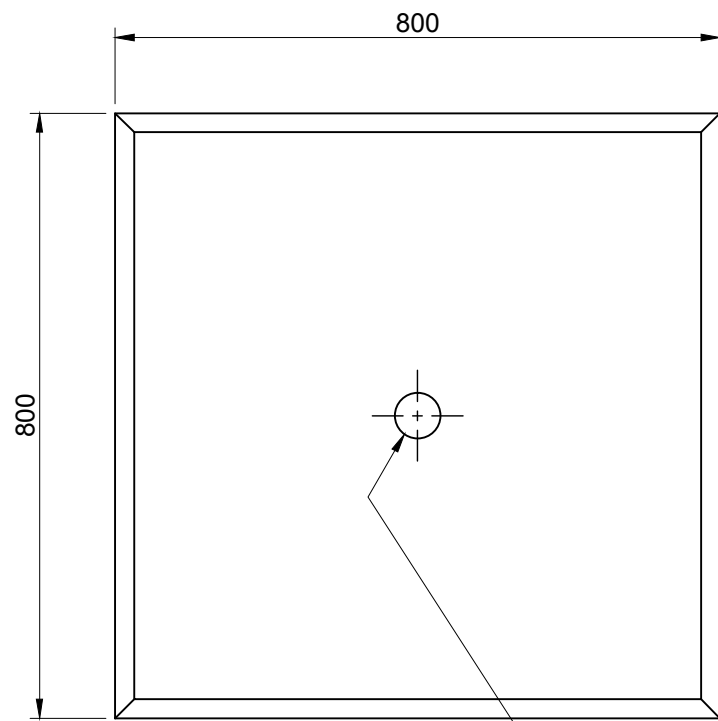
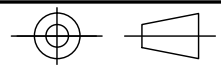
Total Block Weight : 600Kg

Note :
Some details omitted for clarity.

REV	DATE	REASON FOR ISSUE	DRN	APP	REV	DATE	REASON FOR ISSUE	DRN	APP
					O	12.11.13	For Information		
								CTC	RD
TITLE :					ELITE PRECAST CONCRETE LIMITED				
400 x 800 x 800mm (M / F Connectors)					HALESFIELD 9, TELFORD				
Elite Product Code : LG2					SHROPSHIRE TF7 4QW				
DRN : CTC					CHKD : RD				
DATE : 12-11-13					DRG SIZE : A3				
					SCALE: 1:10				
					DRG 141				
					REV O				

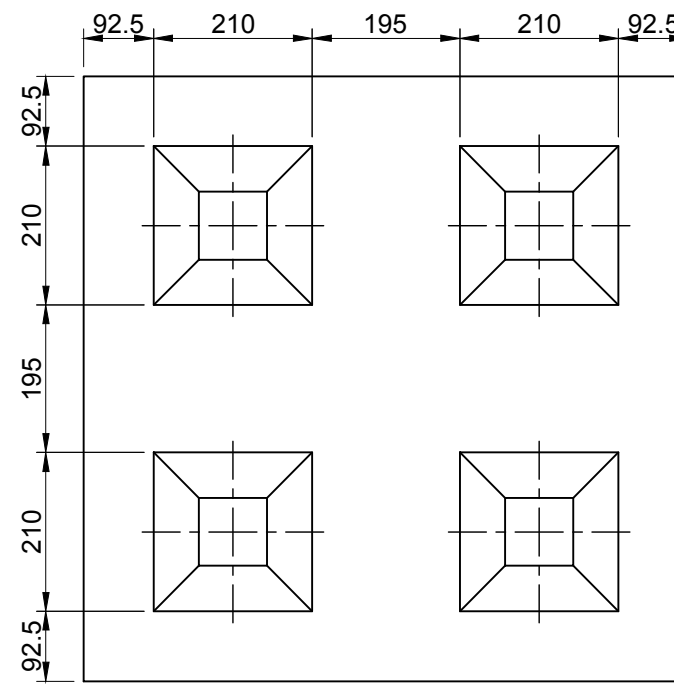


PROJECTION

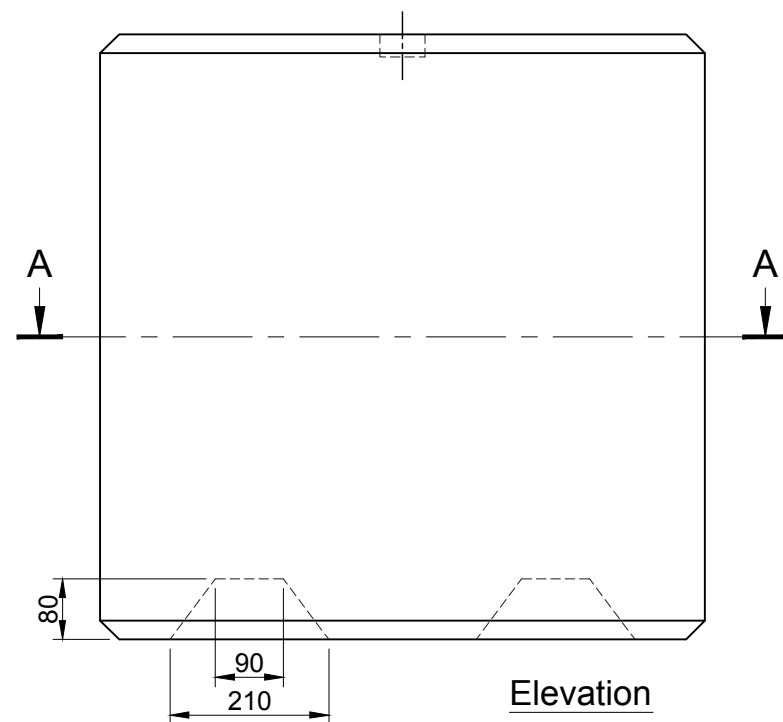


Plan

Ø60mm Dia Semi-Spherical Recess in Gravitational Centre of Block for 'Deha' type Lifting Pin (n.b. Lifting Pin 180mm Long).
(Lifting Pin is rated to 5.0 tonnes with a safety factor of 3).



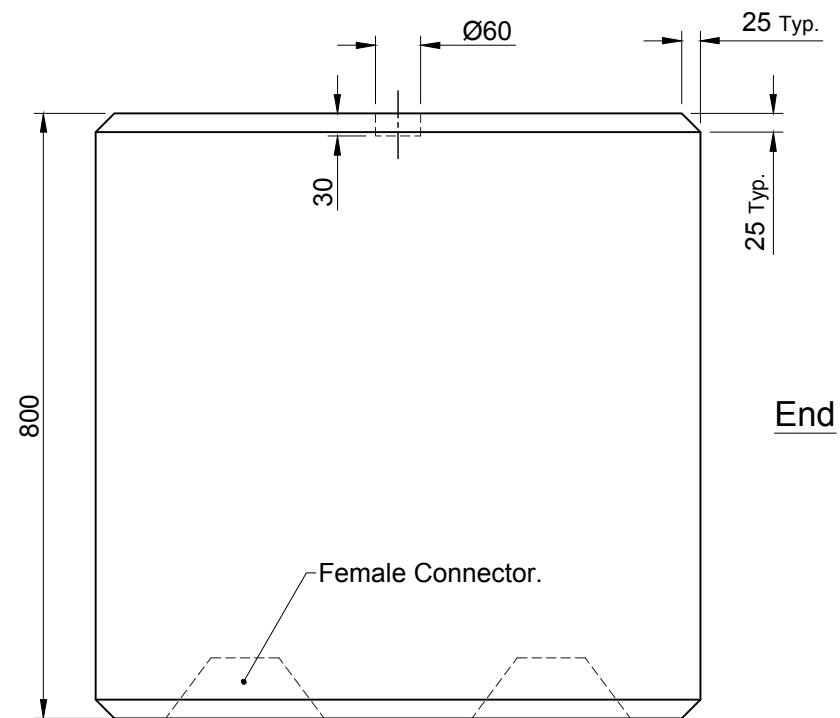
Section on Arrow A - A



Elevation

Total Block Weight : 1080Kg

Note :
Some details omitted for clarity.

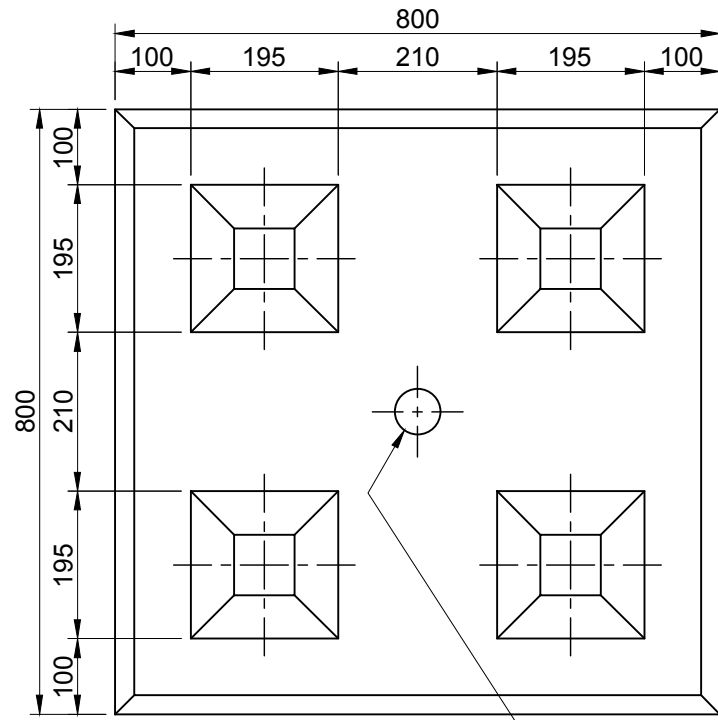
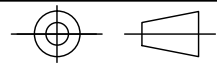


End

						O	13.11.13	For Information			CTC	RD		
REV	DATE	REASON FOR ISSUE	DRN	APP	REV	DATE	REASON FOR ISSUE			DRN	APP			
TITLE :														
Legato™ Interlocking Block						ELITE PRECAST CONCRETE LIMITED								
800 x 800 x 800mm (F Connectors)						HALESFIELD 9, TELFORD								
Elite Product Code : LG3						SHROPSHIRE TF7 4QW								
						DRG SIZE : A3			SCALE: 1:10		DRG 144		REV O	
DRN :	CTC	CHKD :	RD	DATE :	13-11-13									

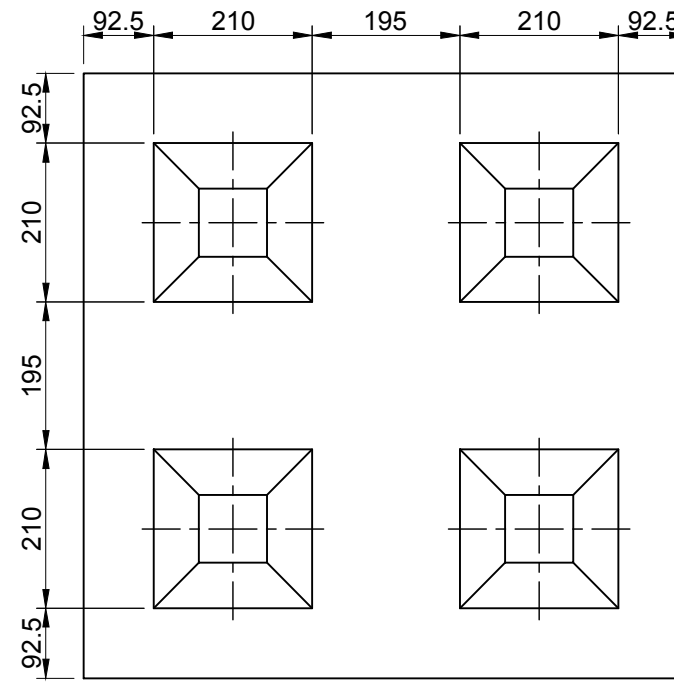


PROJECTION

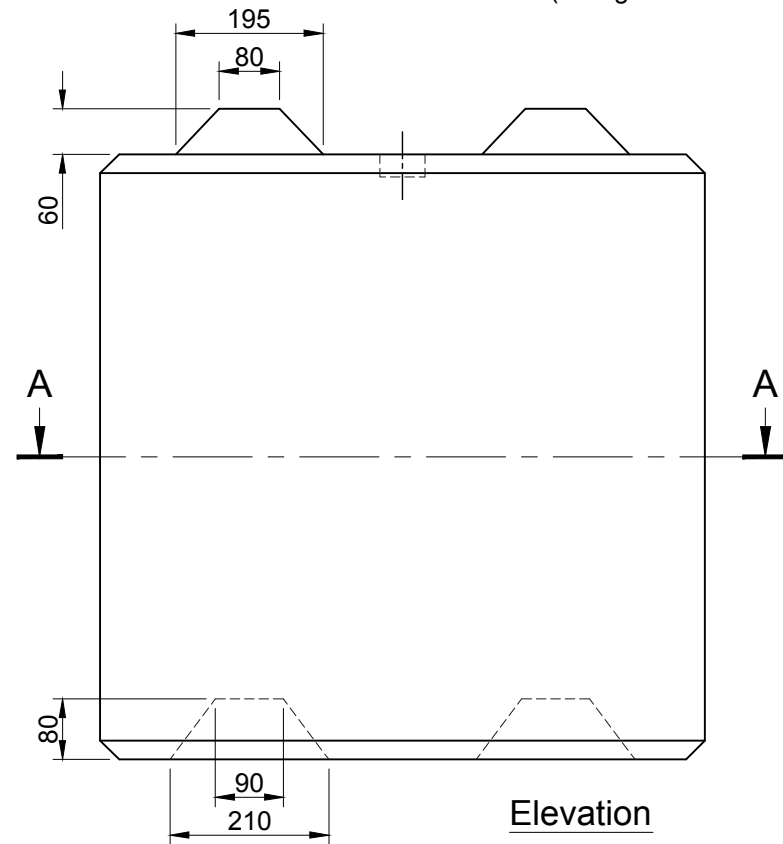


Plan

Ø60mm Dia Semi-Spherical Recess in Gravitational Centre of Block for 'Deha' type Lifting Pin (n.b. Lifting Pin 180mm Long).
(Lifting Pin is rated to 5.0 tonnes with a safety factor of 3).



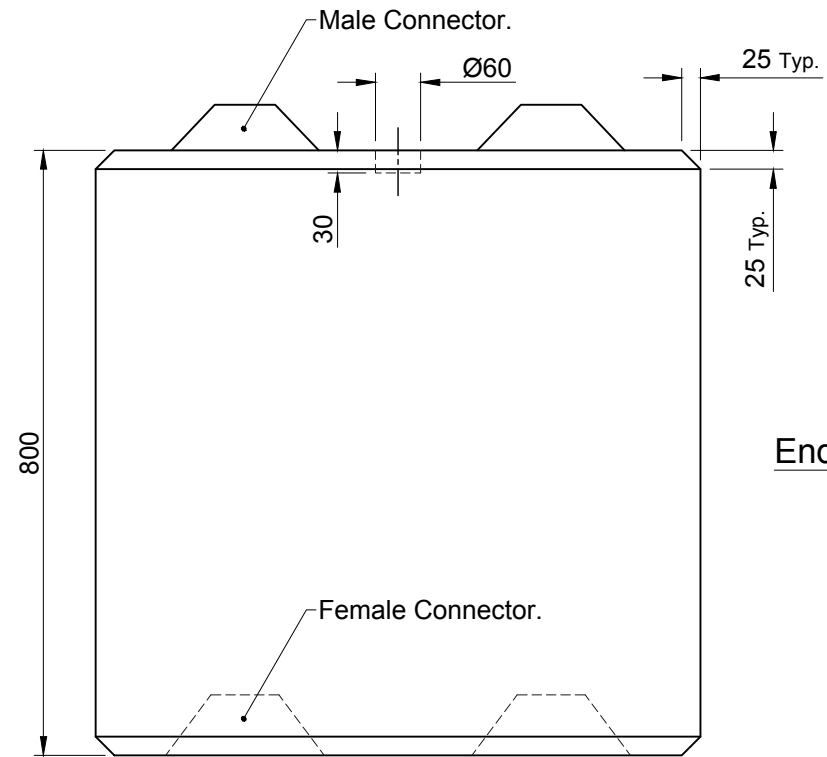
Section on Arrow A - A



Elevation

Total Block Weight : 1200Kg

Note :
Some details omitted for clarity.

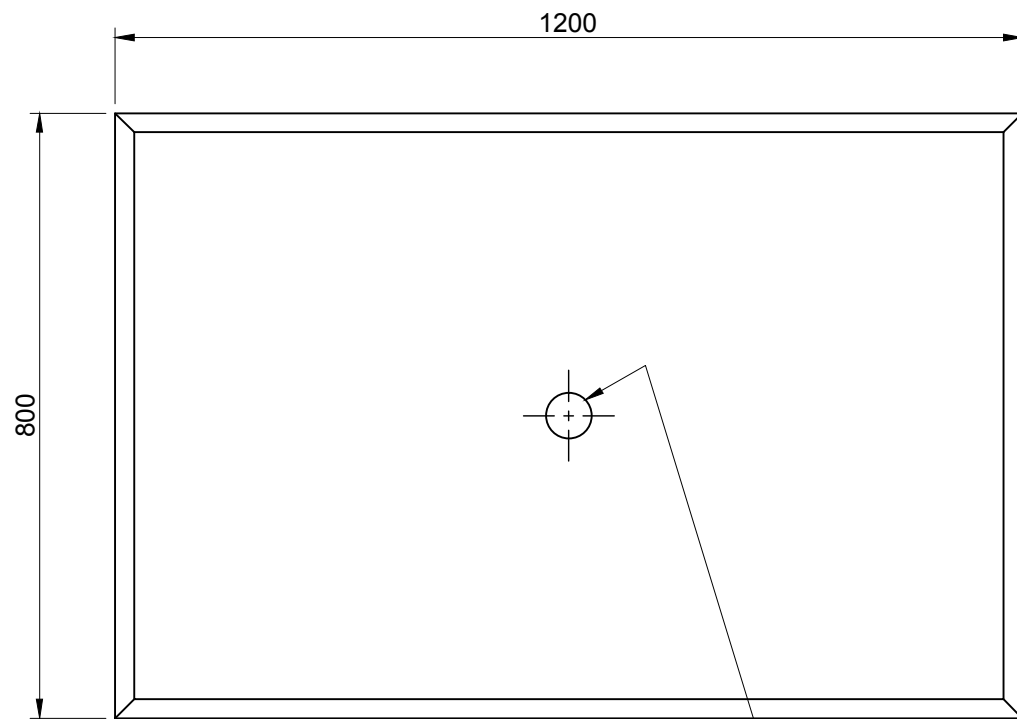
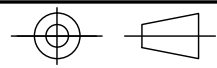


End

REV	DATE	REASON FOR ISSUE	DRN	APP	REV	DATE	REASON FOR ISSUE	DRN	APP
					O	12.11.13	For Information		
TITLE :					ELITE PRECAST CONCRETE LIMITED HALESFIELD 9, TELFORD SHROPSHIRE TF7 4QW				
DRN :					SCALE: 1:10				
CTC		CHKD : RD		DATE : 12-11-13		DRG SIZE : A3		DRG 140	
					REV O				

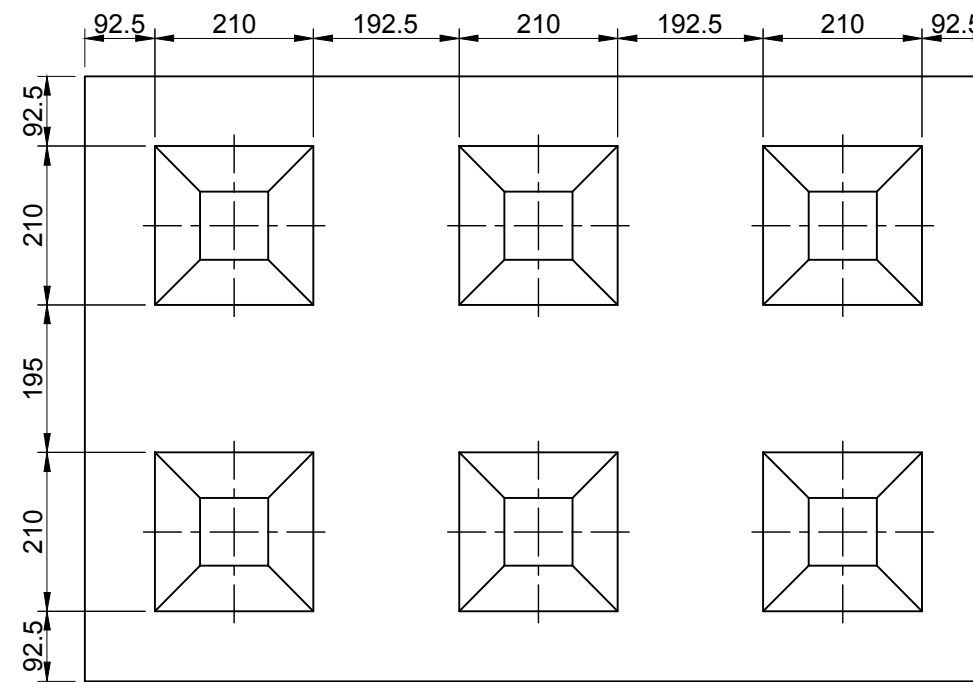


PROJECTION

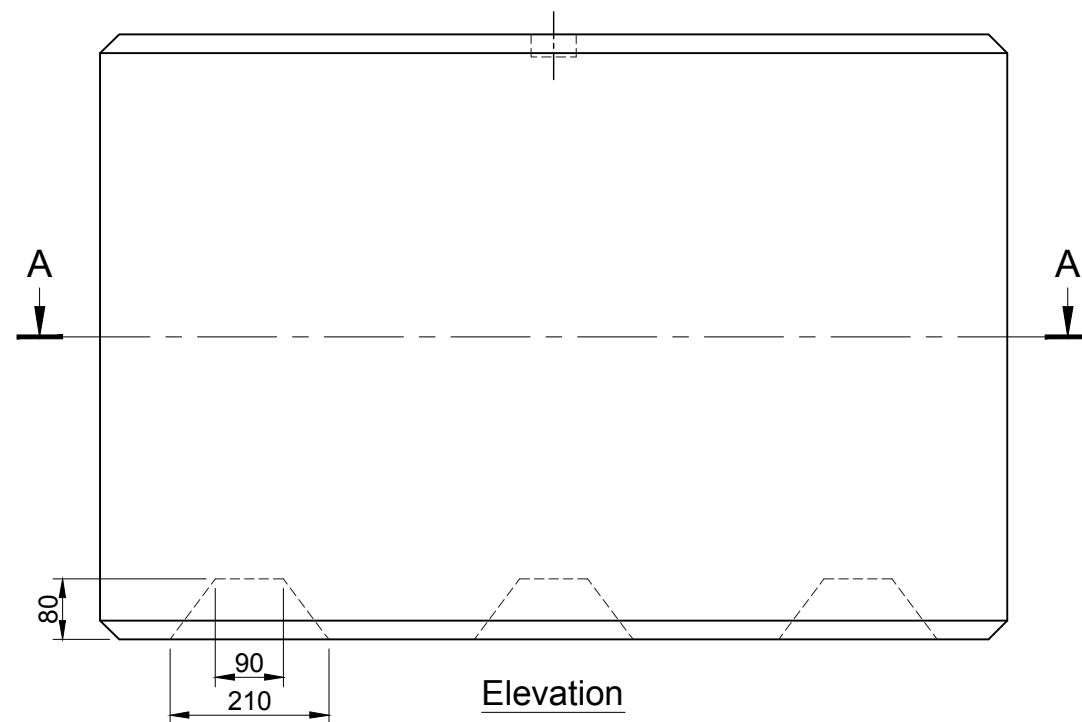


Plan

Ø60mm Dia Semi-Spherical Recess in Gravitational Centre of Block for 'Deha' type Lifting Pin (n.b. Lifting Pin 180mm Long). (Lifting Pin is rated to 5.0 tonnes with a safety factor of 3).



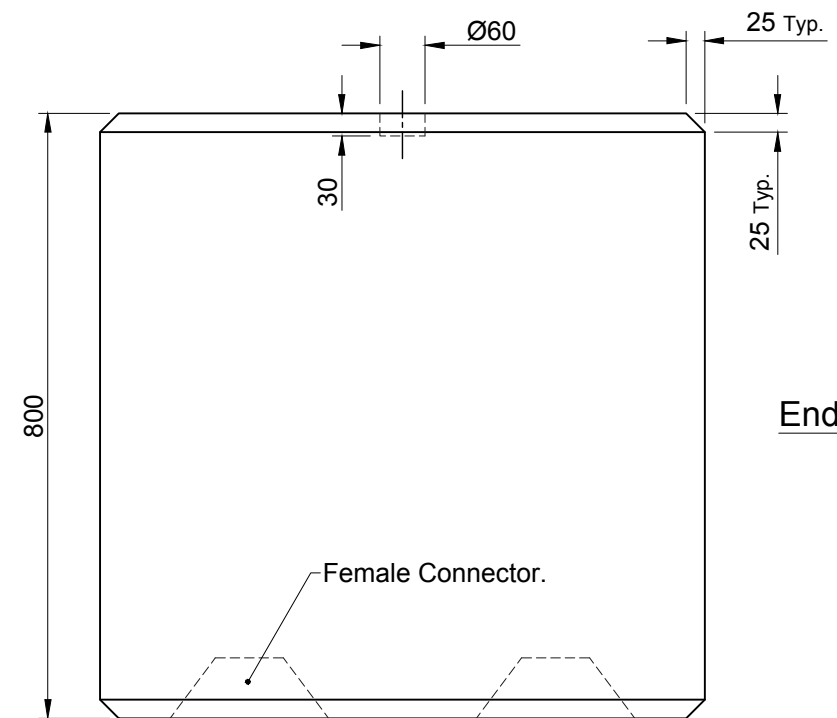
Section on Arrow A - A



Elevation

Total Block Weight : 1620Kg

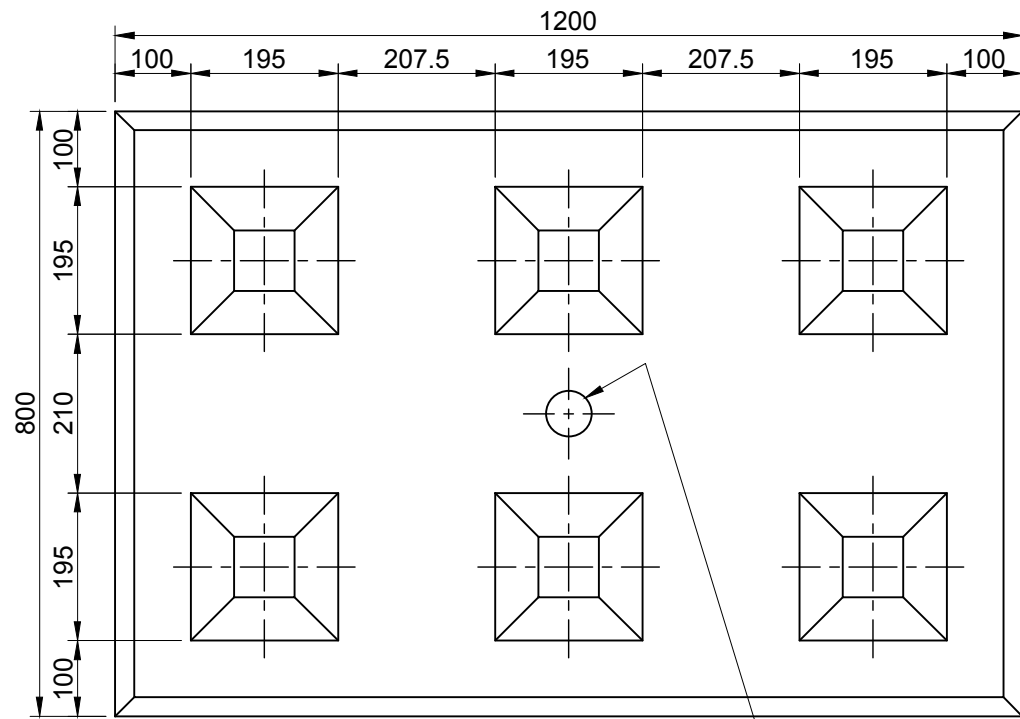
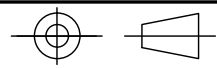
Note :
Some details omitted for clarity.



End

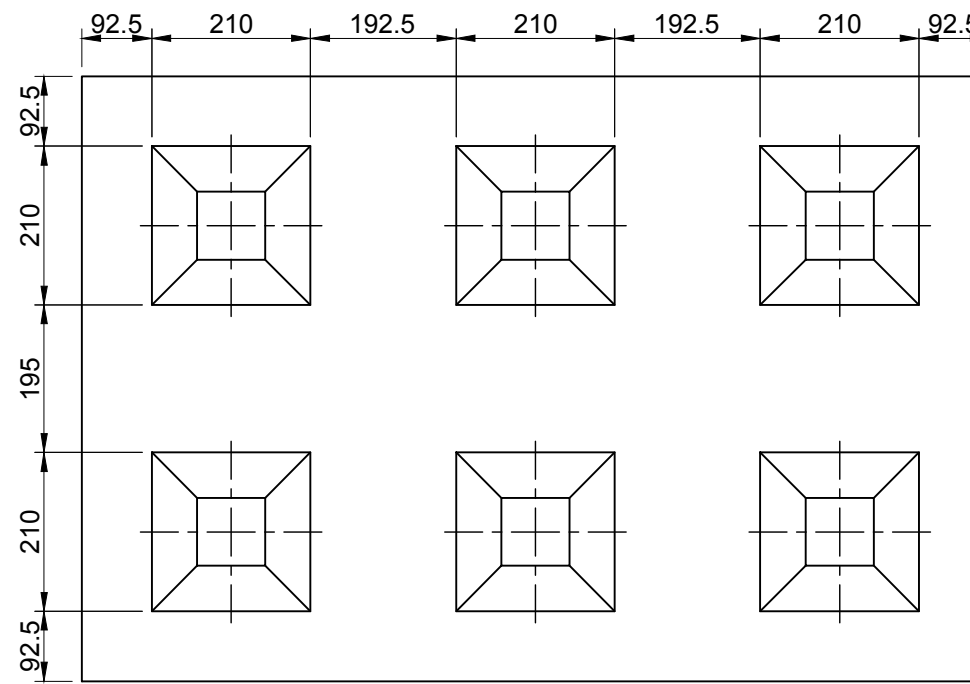
REV	DATE	REASON FOR ISSUE	DRN	APP	REV	DATE	REASON FOR ISSUE	DRN	APP				
					O	13.11.13	For Information	CTC	RD				
TITLE :					ELITE PRECAST CONCRETE LIMITED								
Legato™ Interlocking Block					HALESFIELD 9, TELFORD								
1200 x 800 x 800mm (F Connectors)					SHROPSHIRE TF7 4QW								
Elite Product Code : LG5													
DRN :	CTC	CHKD :	RD	DATE :						13-11-13	DRG SIZE :	A3	SCALE :

PROJECTION

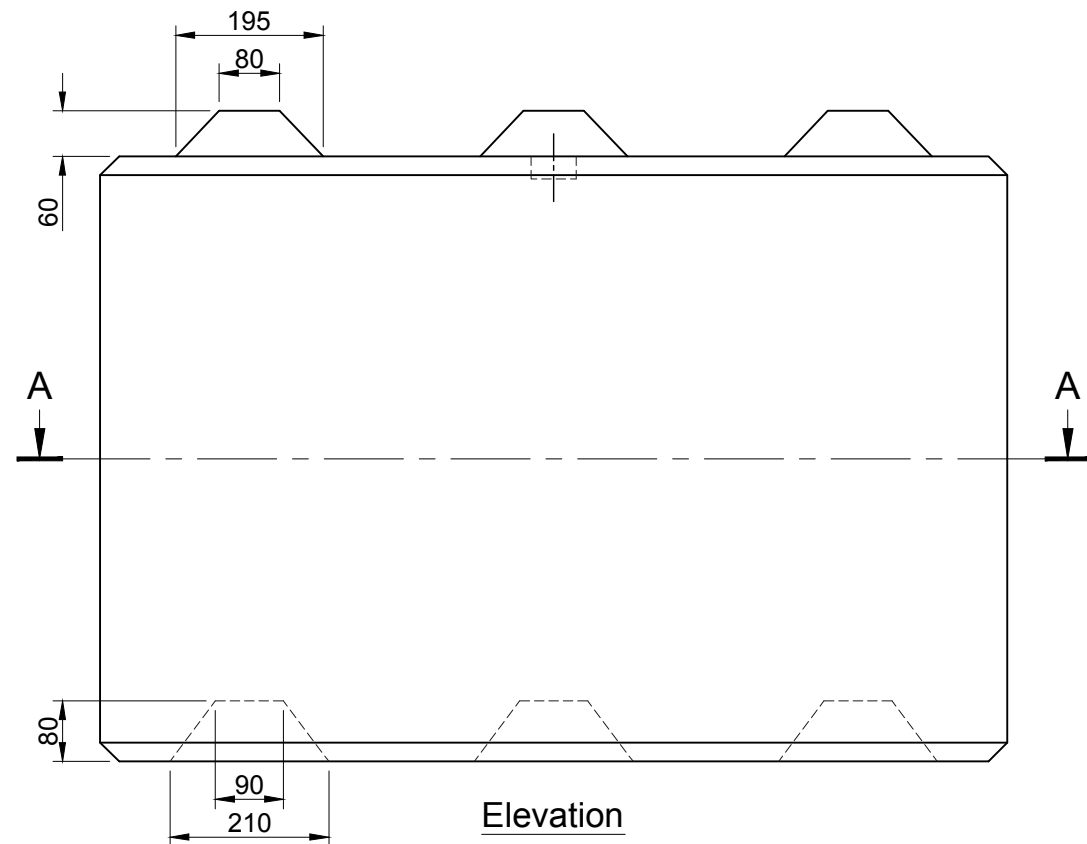


Plan

Ø60mm Dia Semi-Spherical Recess in Gravitational Centre of Block for 'Deha' type Lifting Pin (n.b. Lifting Pin 180mm Long). (Lifting Pin is rated to 5.0 tonnes with a safety factor of 3).



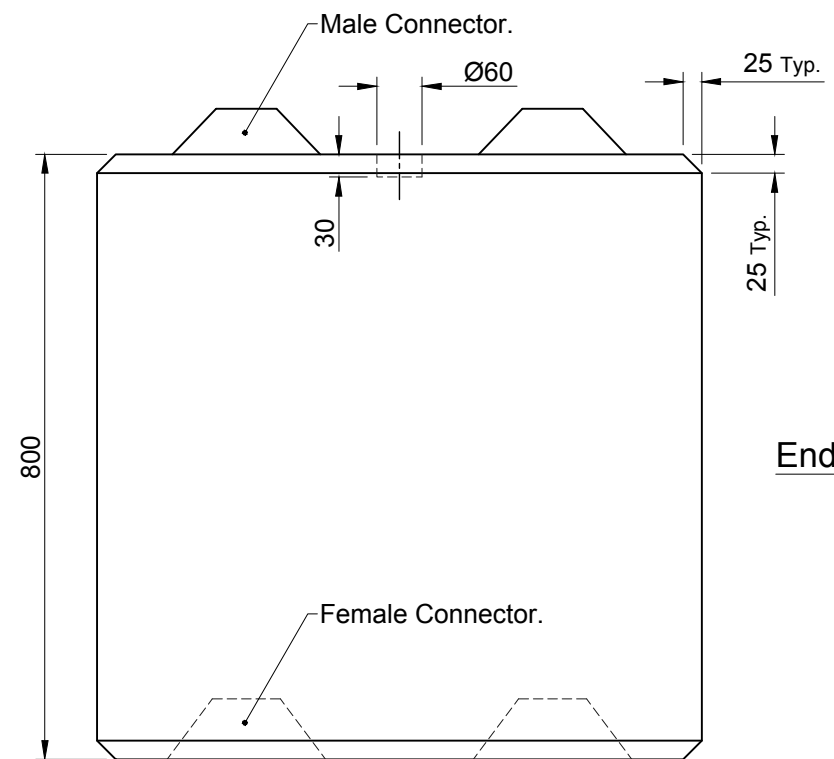
Section on Arrow A - A



Elevation

Total Block Weight : 1800Kg

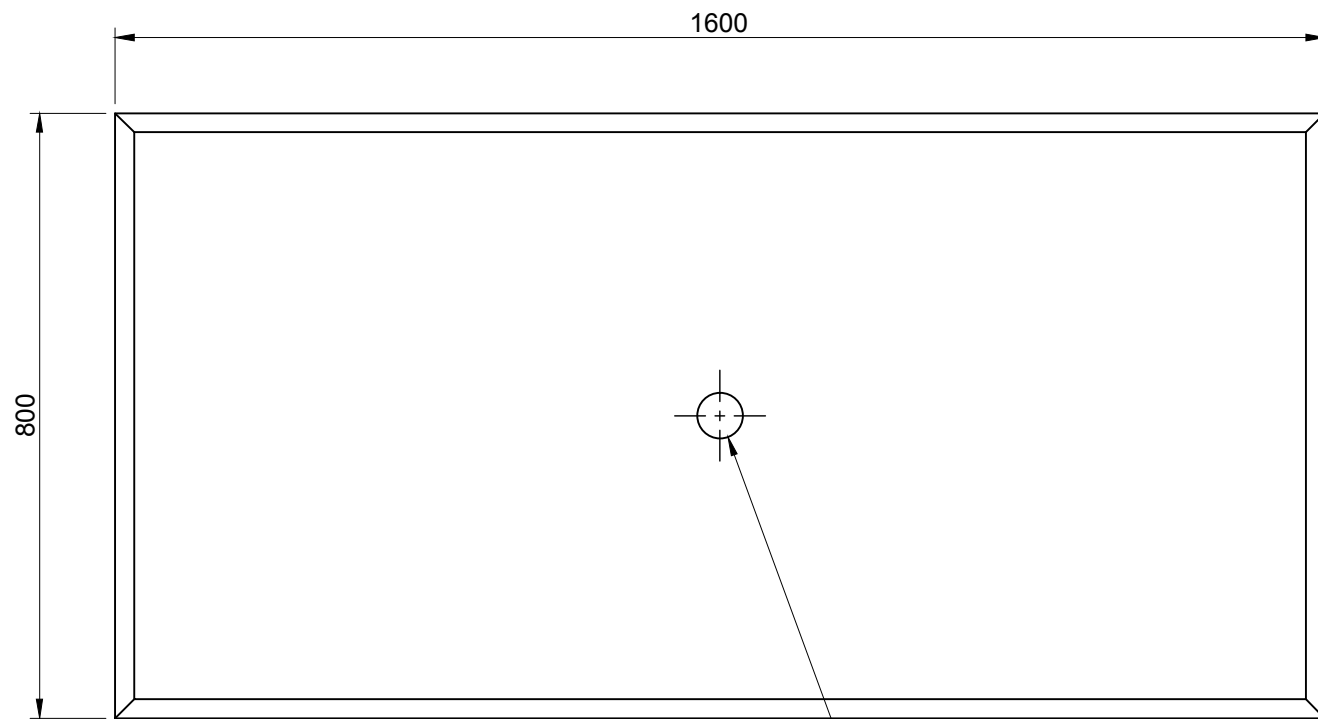
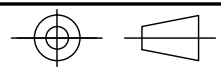
Note :
Some details omitted for clarity.



End

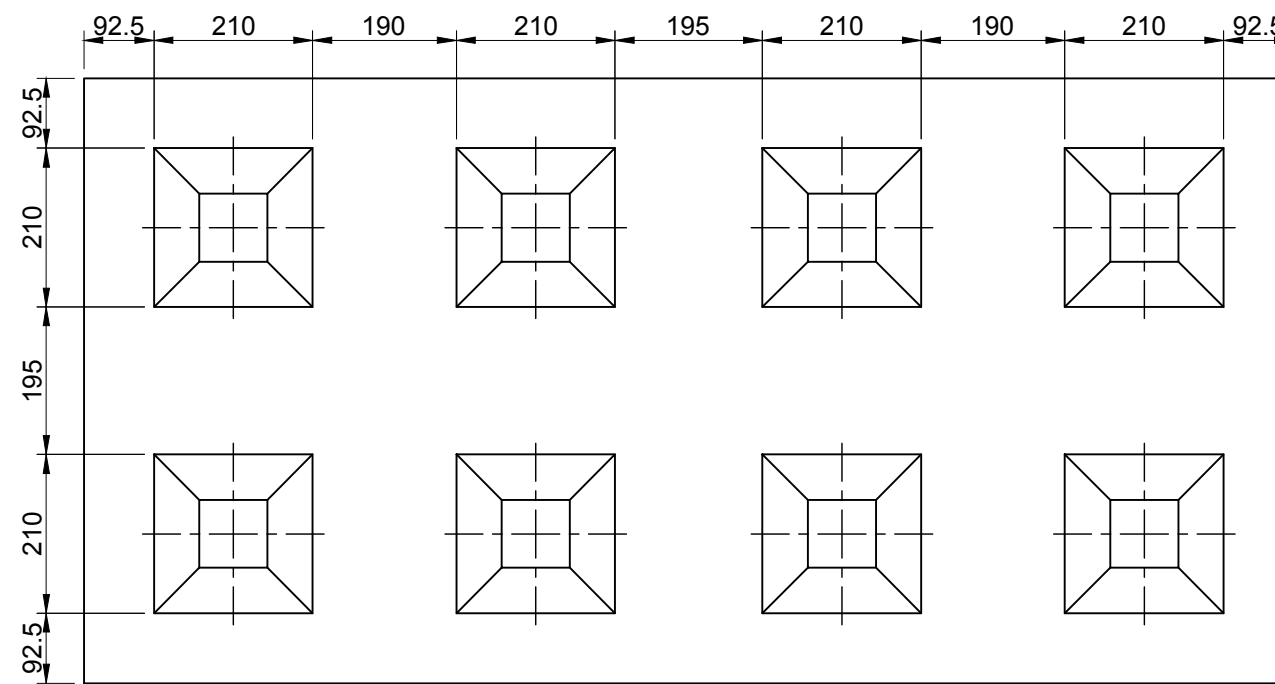
REV	DATE	REASON FOR ISSUE	DRN	APP	REV	DATE	REASON FOR ISSUE	DRN	APP				
					O	12.11.13	For Information	CTC	RD				
TITLE :					ELITE PRECAST CONCRETE LIMITED HALESFIELD 9, TELFORD SHROPSHIRE TF7 4QW								
Legato™ Interlocking Block 1200 x 800 x 800mm (M / F Connectors) Elite Product Code : LG6													
DRN :	CTC	CHKD :	RD	DATE :	12-11-13	DRG SIZE :	A3	SCALE :	1:10	DRG	139	REV	O

PROJECTION

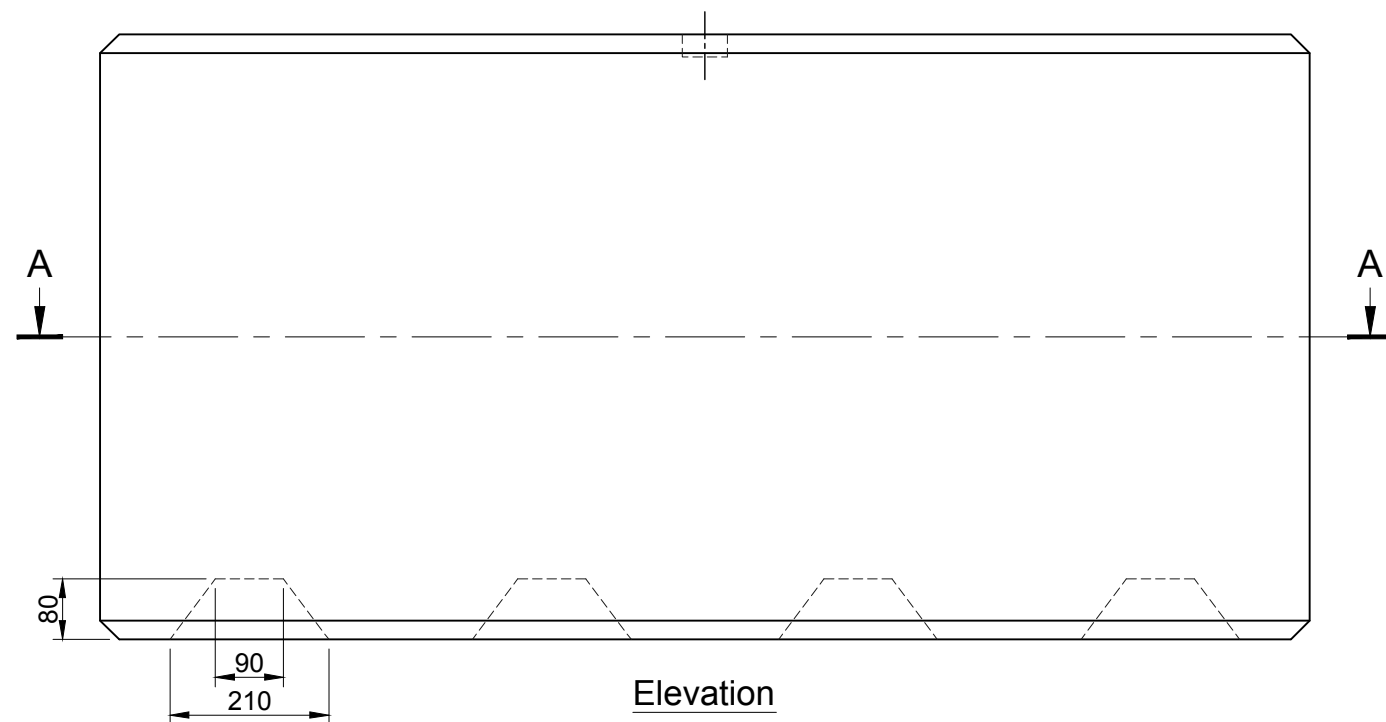


Plan

Ø60mm Dia Semi-Spherical Recess in Gravitational Centre of Block for 'Deha' type Lifting Pin (n.b. Lifting Pin 180mm Long). (Lifting Pin is rated to 5.0 tonnes with a safety factor of 3).



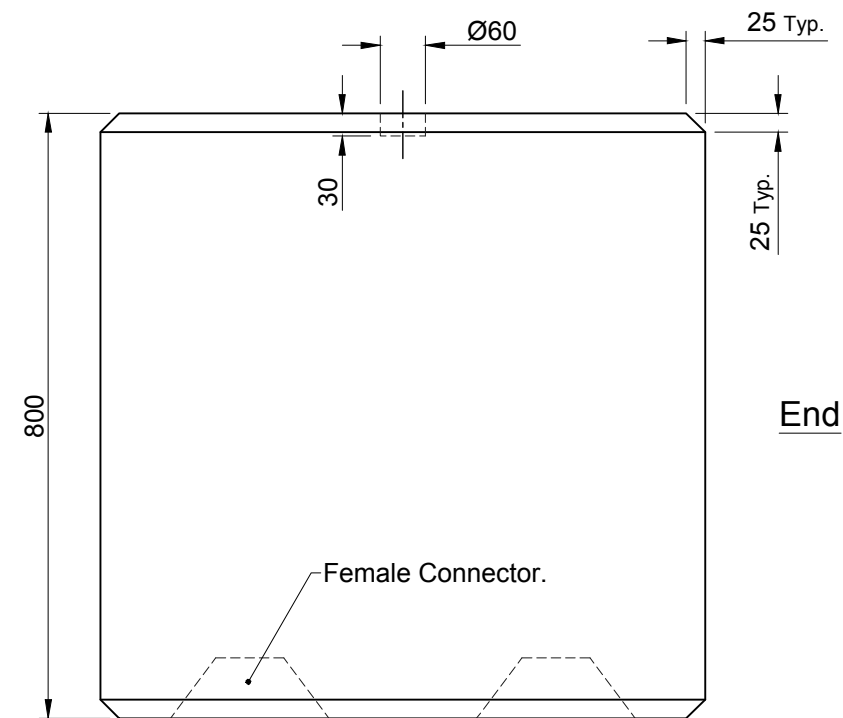
Section on Arrow A - A



Elevation

Total Block Weight : 2160Kg

Note :
Some details omitted for clarity.

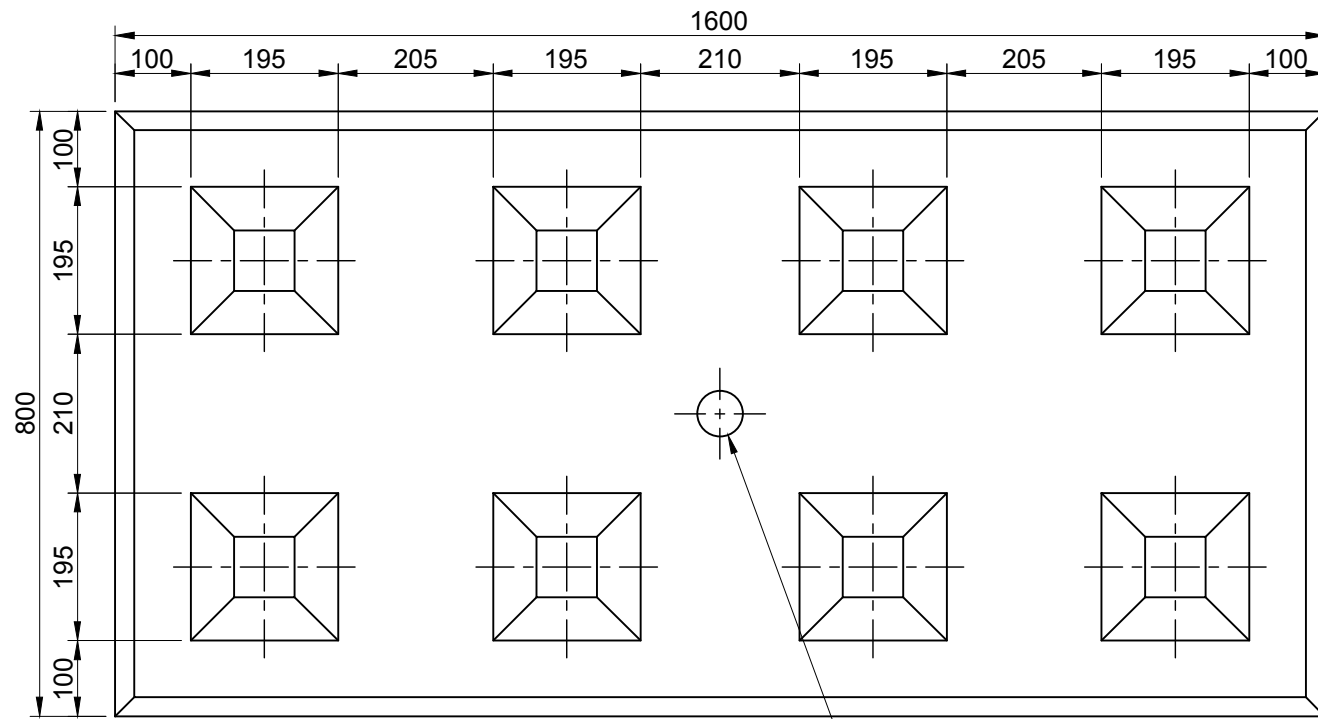
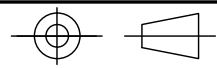


End

						O 13.11.13		For Information		CTC RD	
REV	DATE	REASON FOR ISSUE		DRN	APP	REV	DATE	REASON FOR ISSUE		DRN	APP
TITLE :						Legato™ Interlocking Block 1600 x 800 x 800mm (F Connectors) Elite Product Code : LG7					
						ELITE PRECAST CONCRETE LIMITED HALESFIELD 9, TELFORD SHROPSHIRE TF7 4QW					
DRN : CTC						CHKD : RD		DATE : 13-11-13		DRG 142	
						DRG SIZE : A3		SCALE : 1:10		REV O	

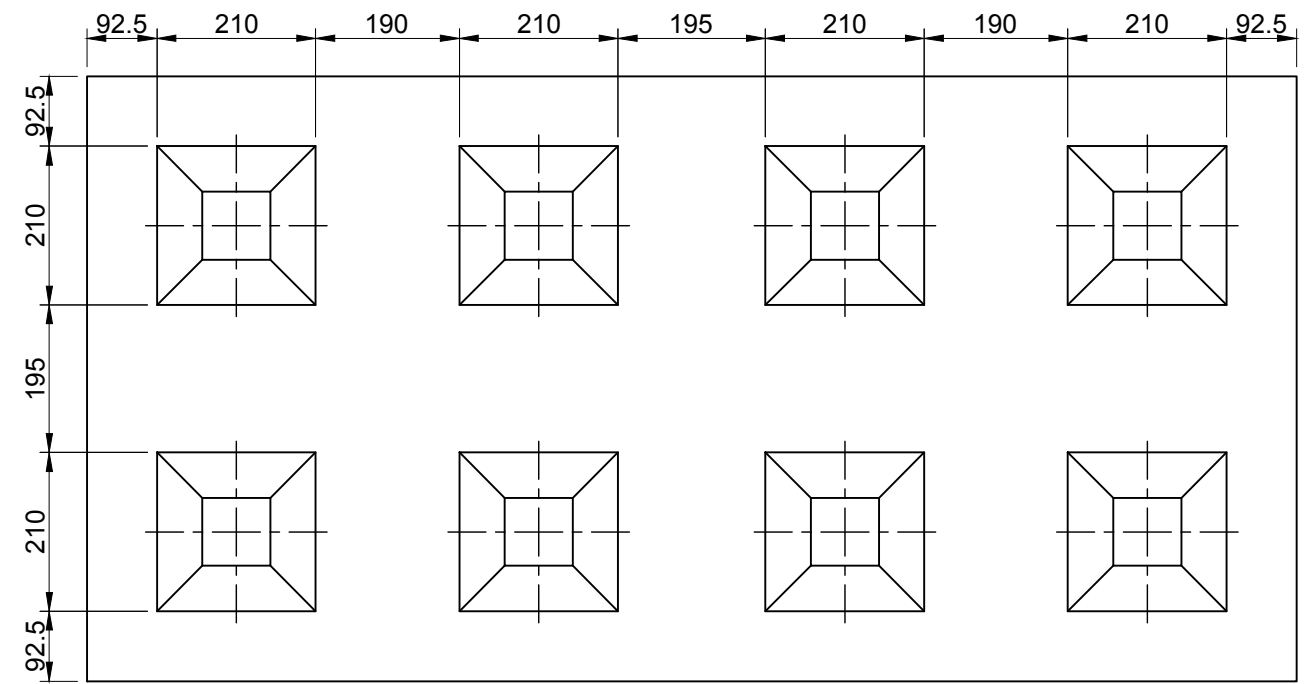


PROJECTION

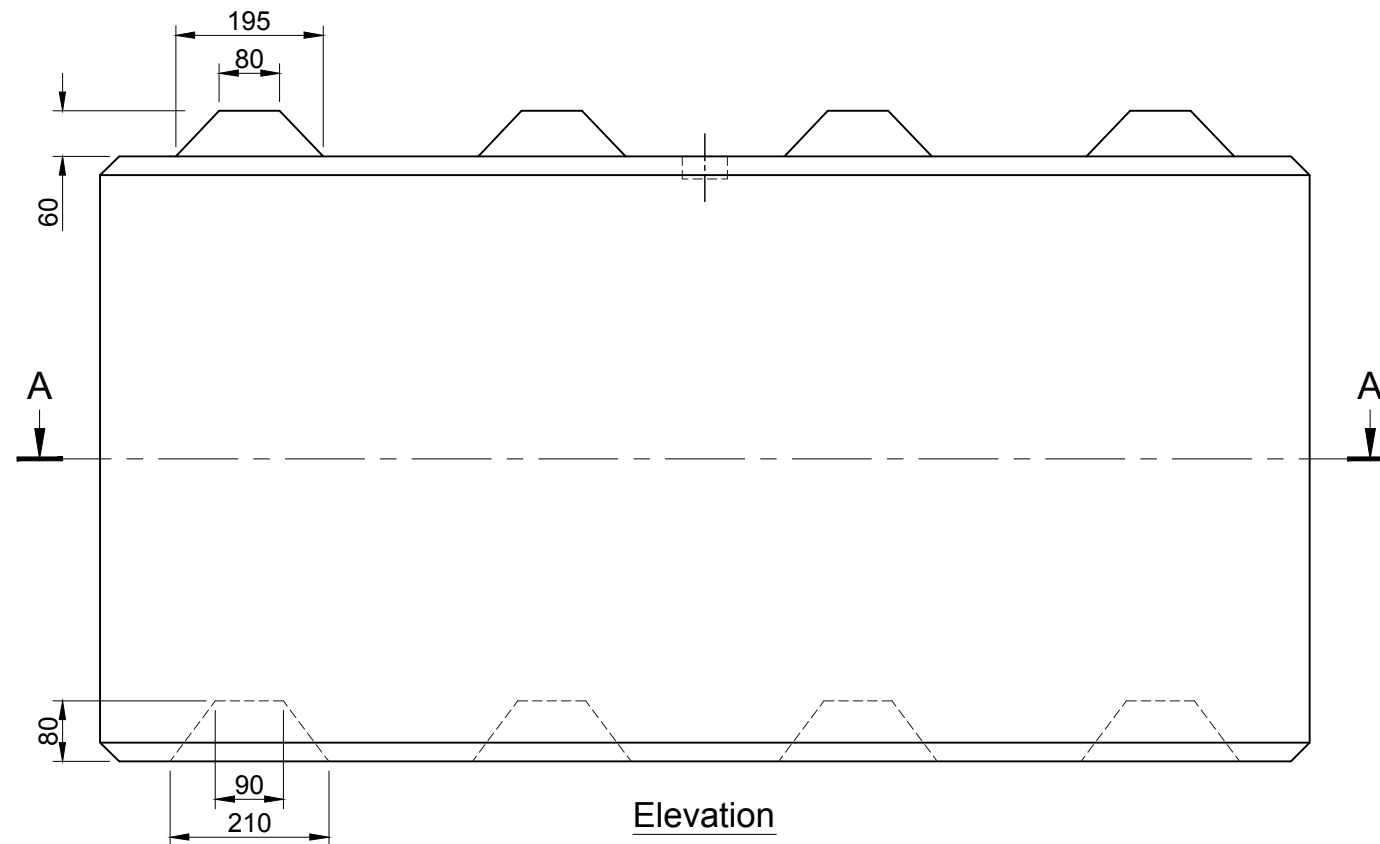


Plan

Ø60mm Dia Semi-Spherical Recess in Gravitational Centre of Block for 'Deha' type Lifting Pin (n.b. Lifting Pin 180mm Long). (Lifting Pin is rated to 5.0 tonnes with a safety factor of 3).



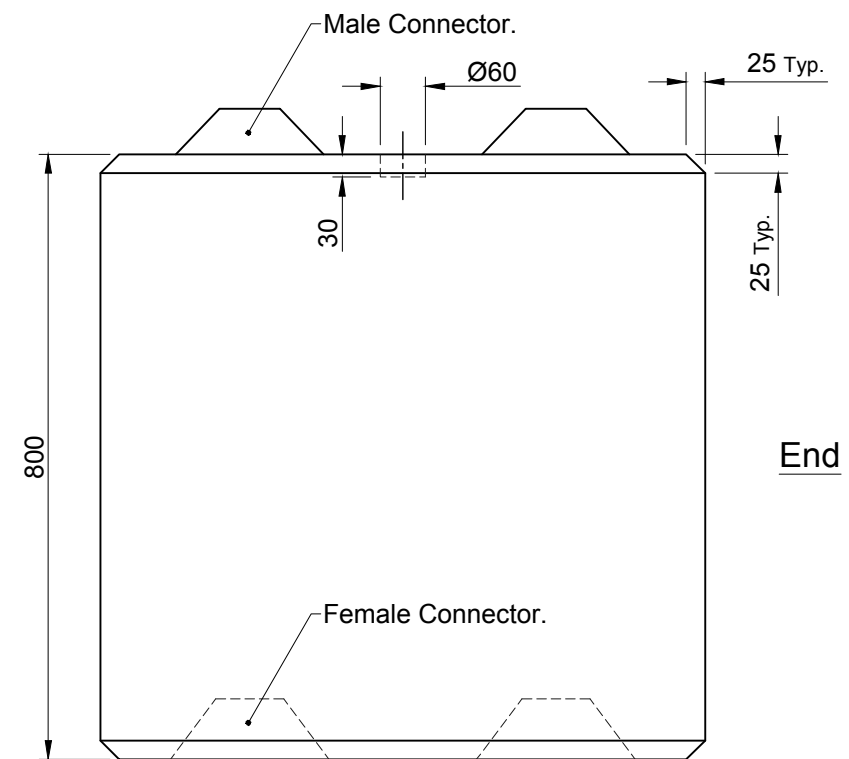
Section on Arrow A - A



Elevation

Total Block Weight : 2400Kg

Note :
Some details omitted for clarity.

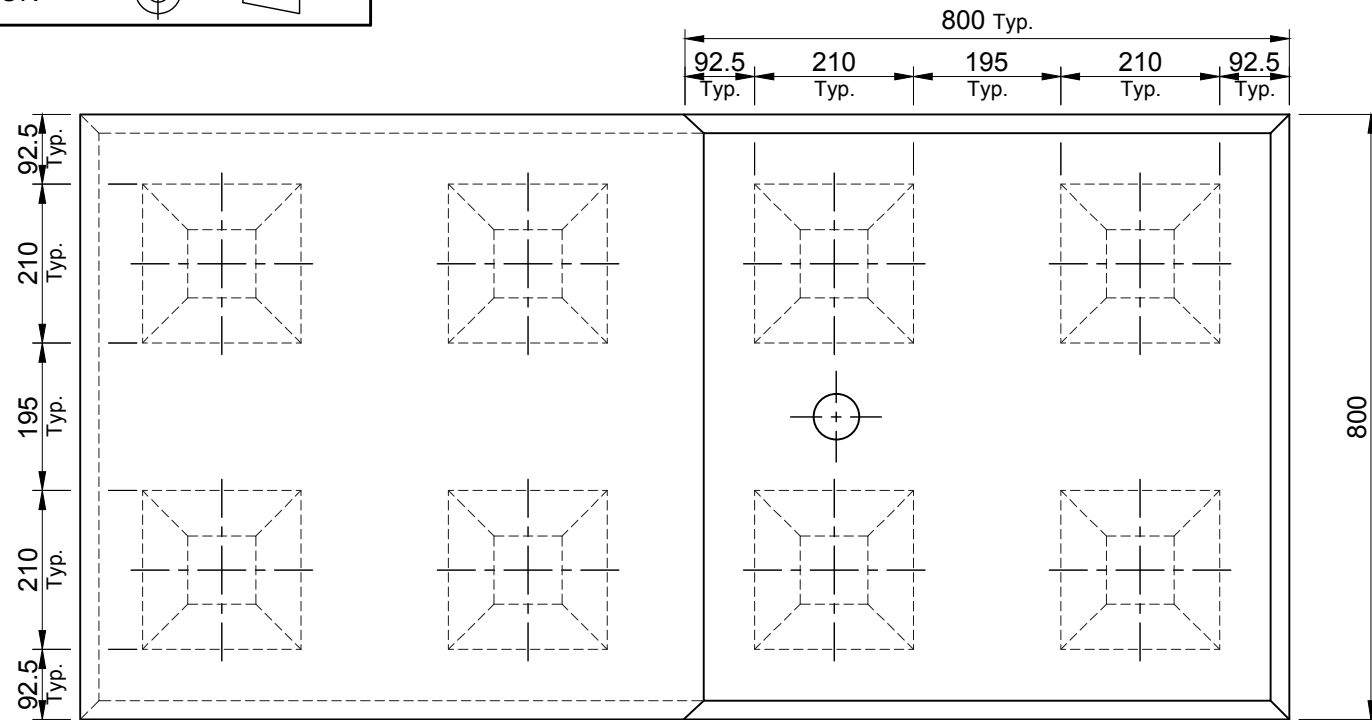
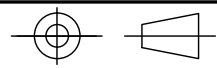


End

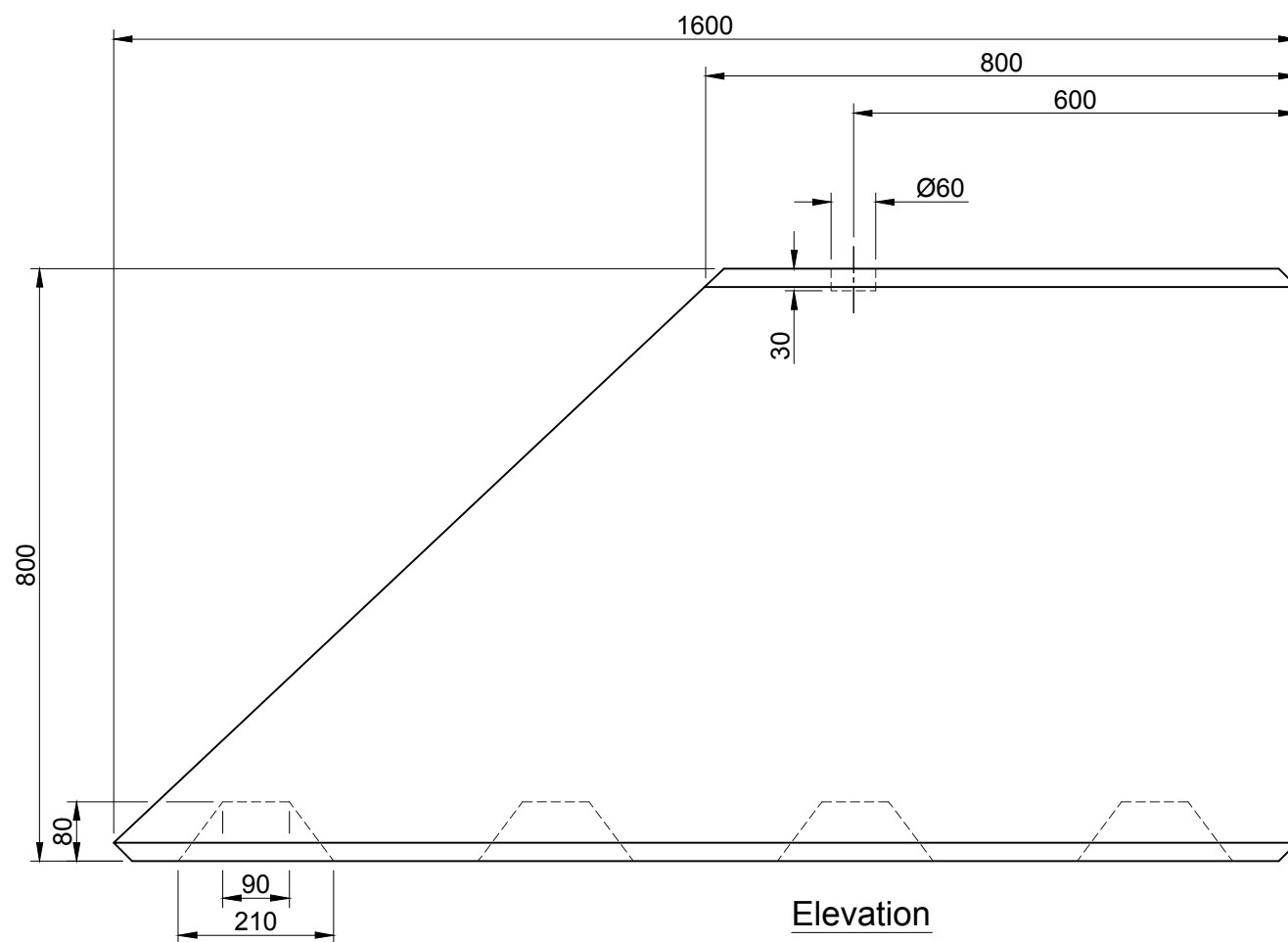
REV	DATE	REASON FOR ISSUE	DRN	APP	REV	DATE	REASON FOR ISSUE	DRN	APP
					O	12.11.13	For Information	CTC	RD
TITLE :					ELITE PRECAST CONCRETE LIMITED				
1600 x 800 x 800mm (M / F Connectors)					HALESFIELD 9, TELFORD				
Elite Product Code : LG8					SHROPSHIRE TF7 4QW				
DRN : CTC					CHKD : RD				
DATE : 12-11-13					DRG SIZE : A3				
SCALE: 1:10					DRG 138				
					REV O				



PROJECTION



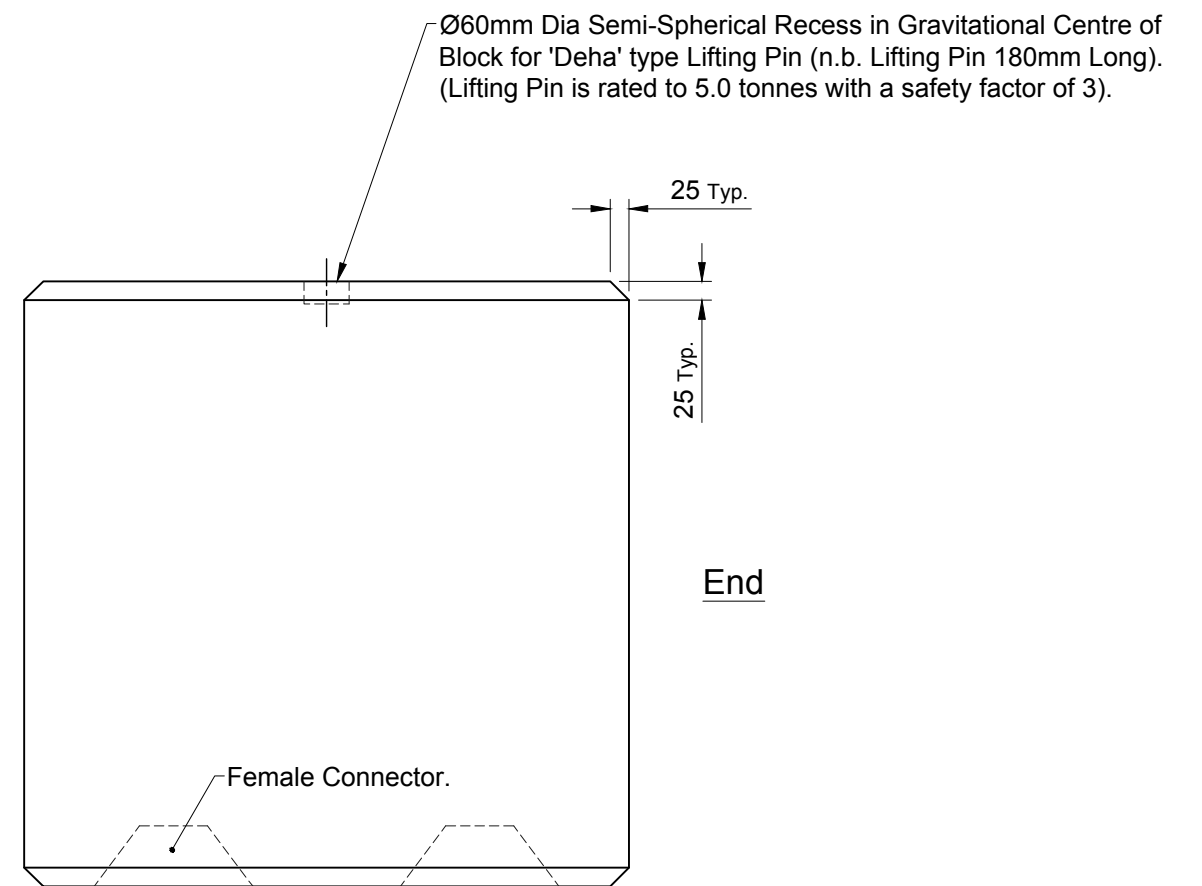
Plan



Elevation

Total Block Weight : 1760Kg

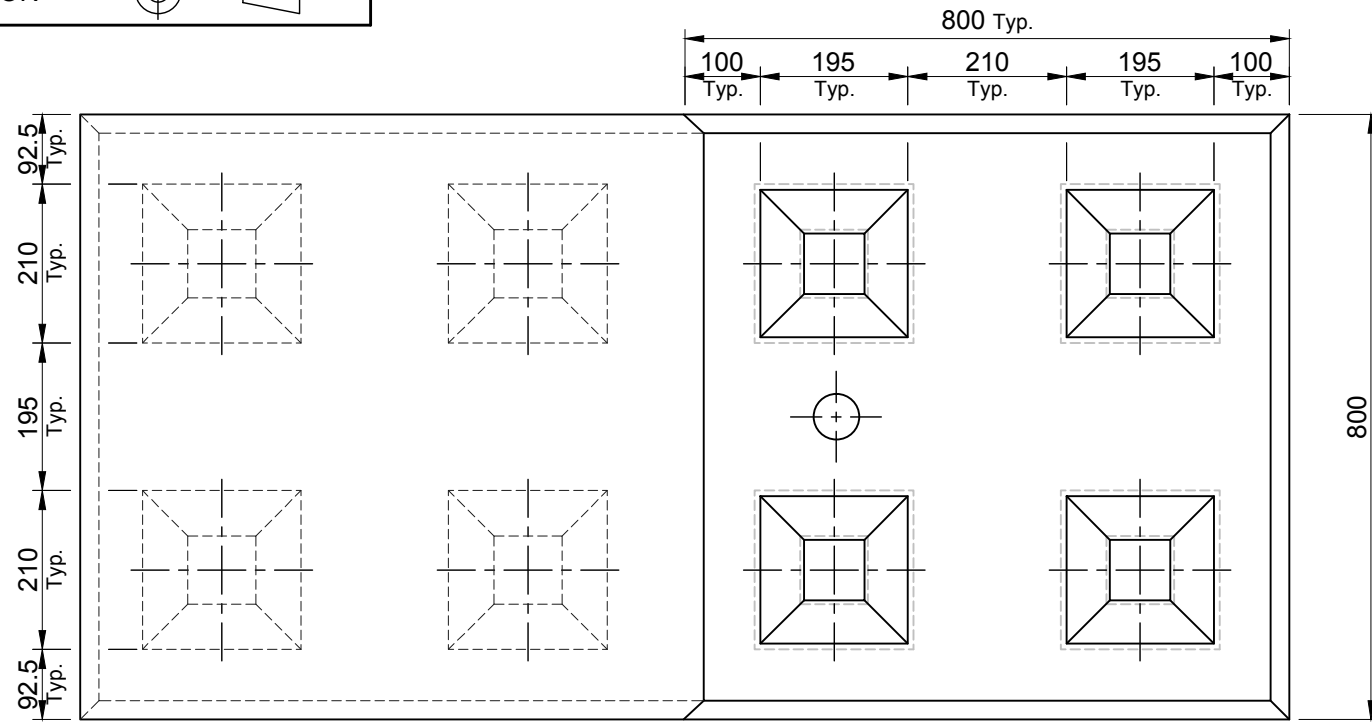
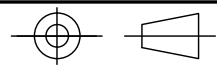
Note :
Some details omitted for clarity.



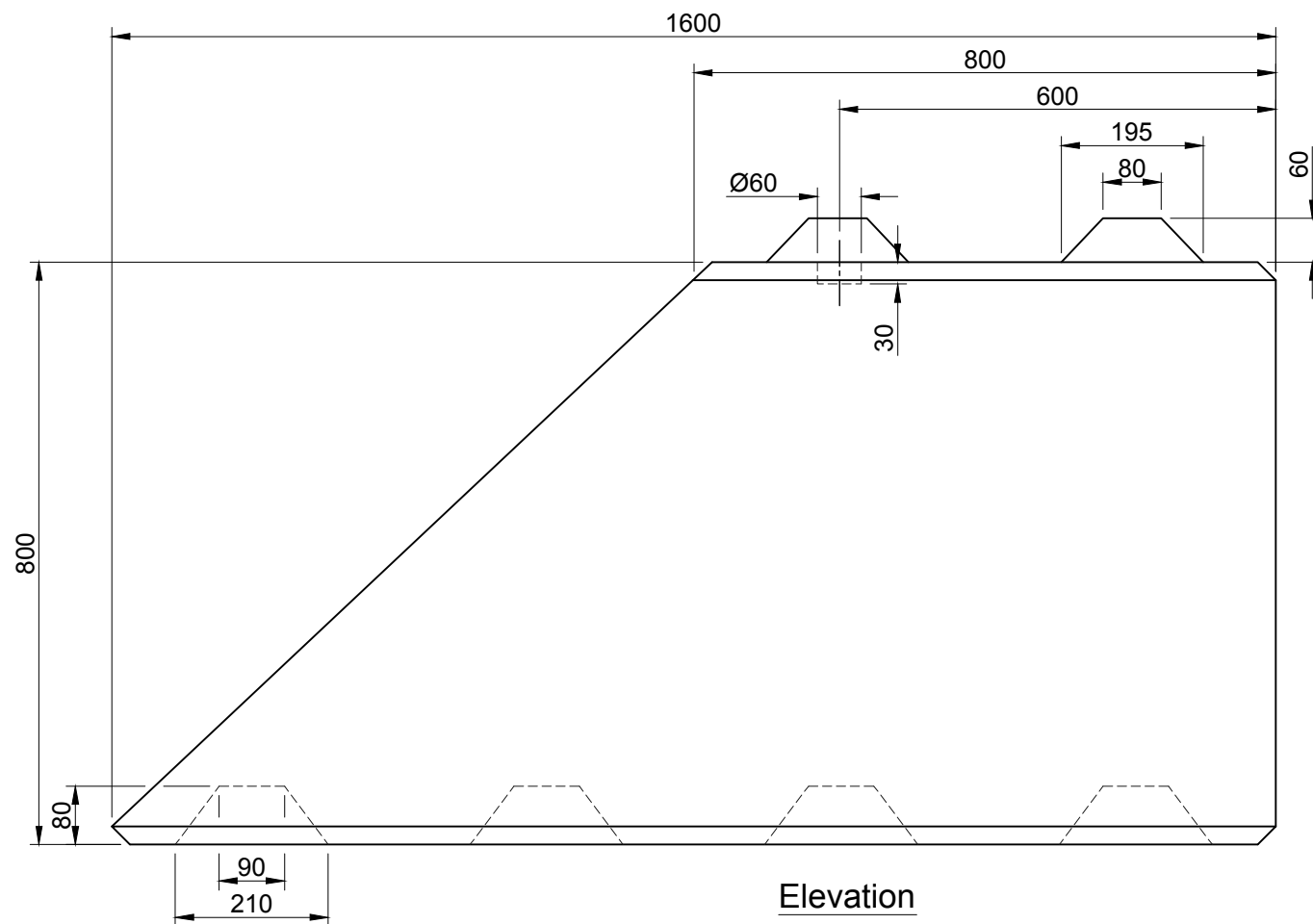
End

						O	20.03.14	For Information											CTC	RD
REV	DATE	REASON FOR ISSUE						DRN	APP	REV	DATE	REASON FOR ISSUE						DRN	APP	
TITLE :																				
Legato™ Interlocking Slope Flat Top Block										ELITE PRECAST CONCRETE LIMITED										
1600 x 800 x 800mm (F Connectors)										HALESFIELD 9, TELFORD										
Elite Product Code : LG9										SHROPSHIRE TF7 4QW										
										ELITE PRECAST CONCRETE										
DRN :	CTC	CHKD :	RD	DATE :	20-03-14	DRG SIZE :	A3	SCALE :	1:10	DRG	162	REV	O							

PROJECTION



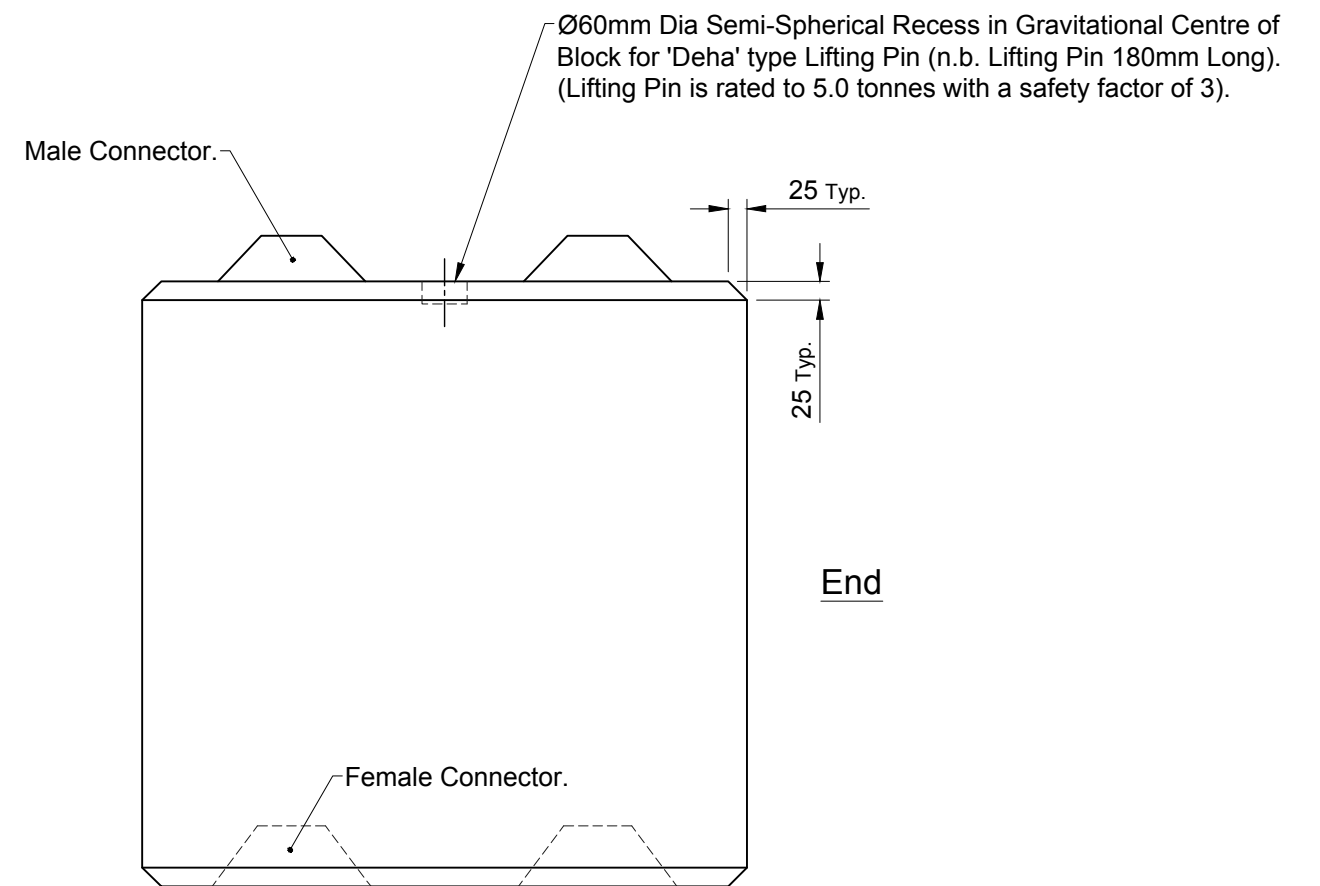
Plan



Elevation

Total Block Weight : 1800Kg

Note :
Some details omitted for clarity.

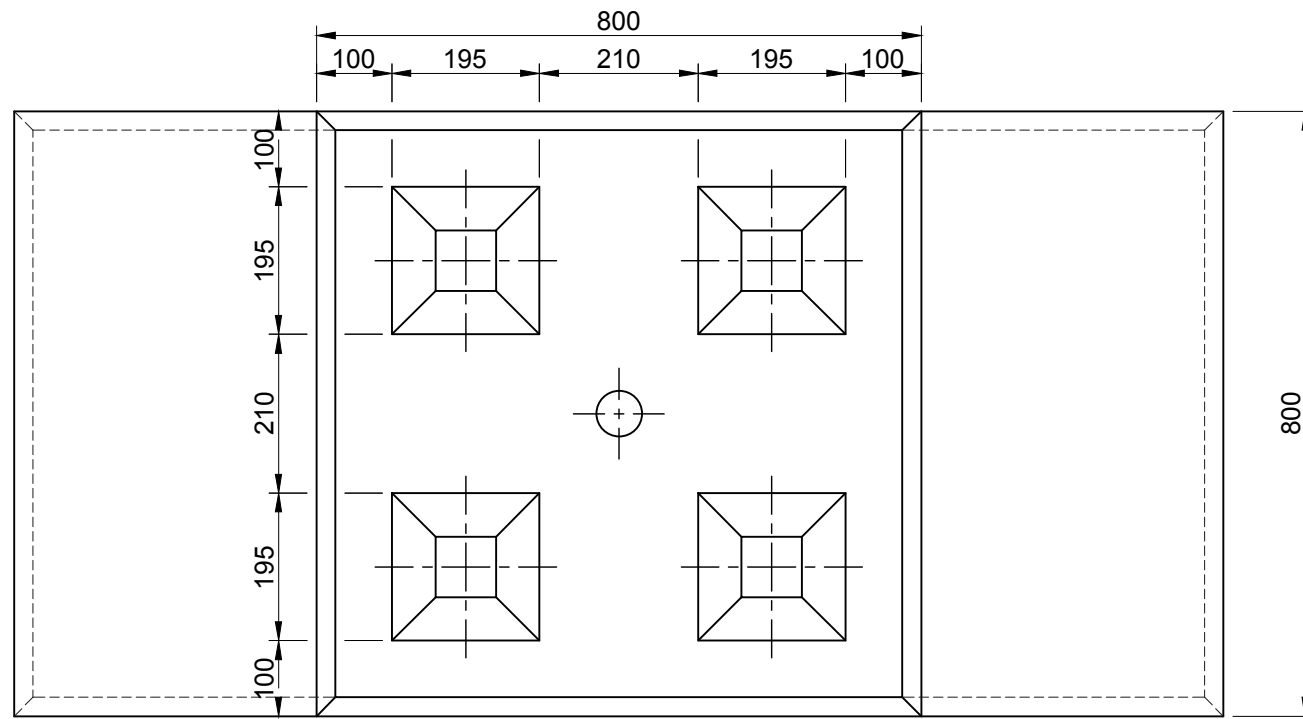
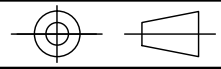


End

REV	DATE	REASON FOR ISSUE	DRN	APP	REV	DATE	REASON FOR ISSUE	DRN	APP
					O	20.03.14	For Information		
								CTC	RD
TITLE :									
Legato™ Interlocking Slope Block					ELITE PRECAST CONCRETE LIMITED				
1600 x 800 x 800mm (M / F Connectors)					HALESFIELD 9, TELFORD				
Elite Product Code : LG10					SHROPSHIRE TF7 4QW				
DRN : CTC					CHKD : RD				
DATE : 20-03-14					DRG SIZE : A3				
					SCALE: 1:10				
					DRG 161				
					REV O				



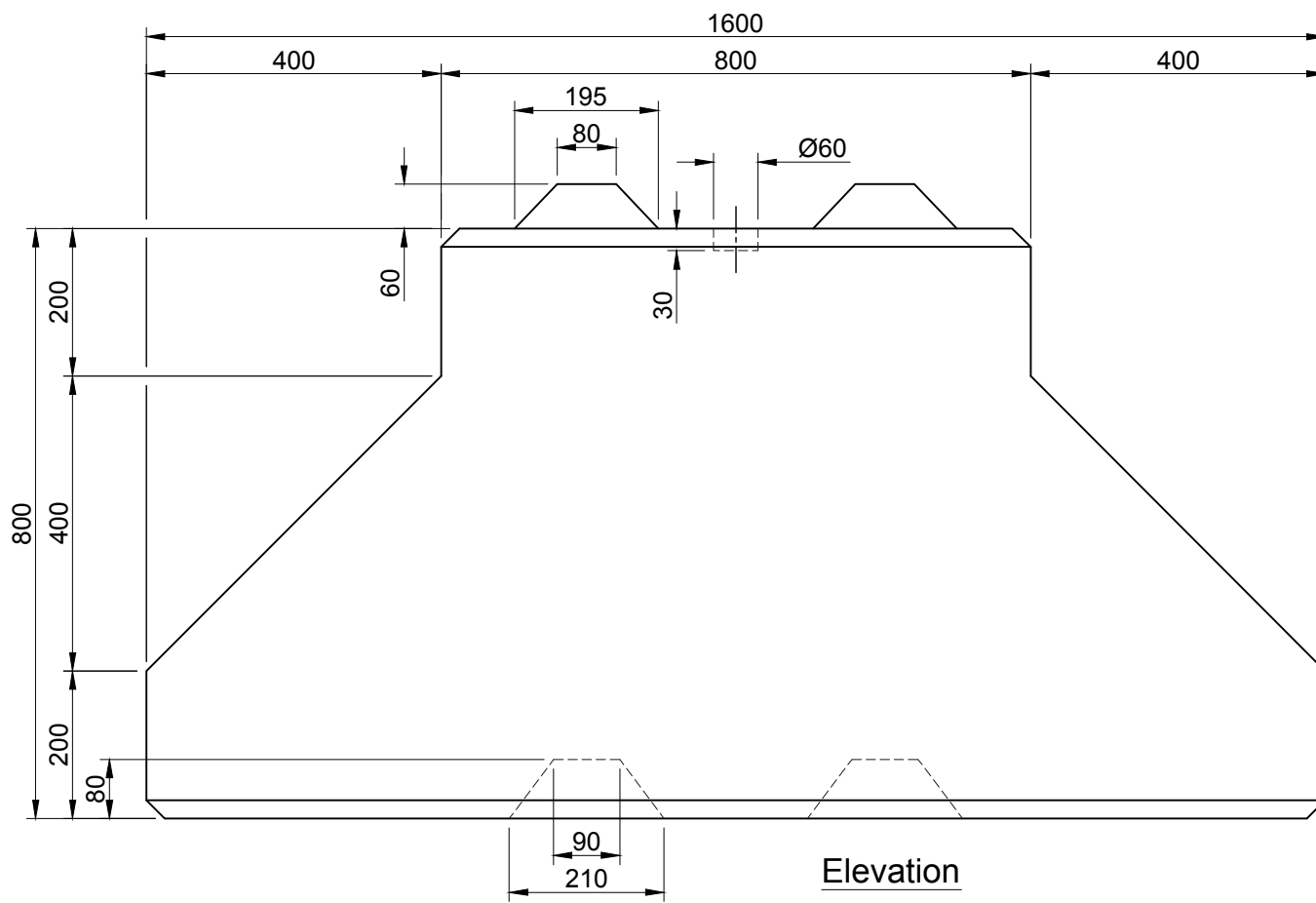
PROJECTION



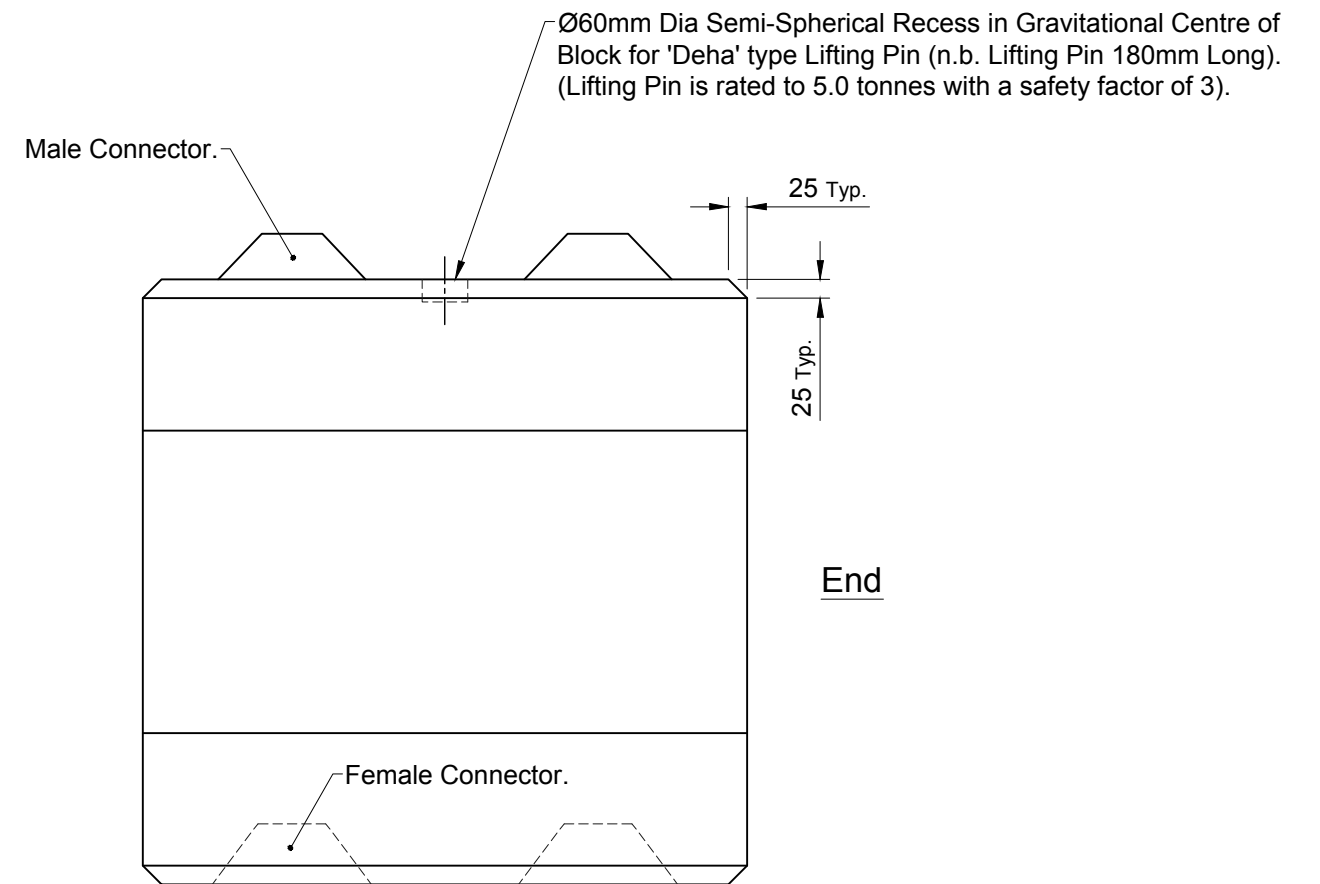
Plan

Total Block Weight : 1800Kg

Note :
Some details omitted for clarity.



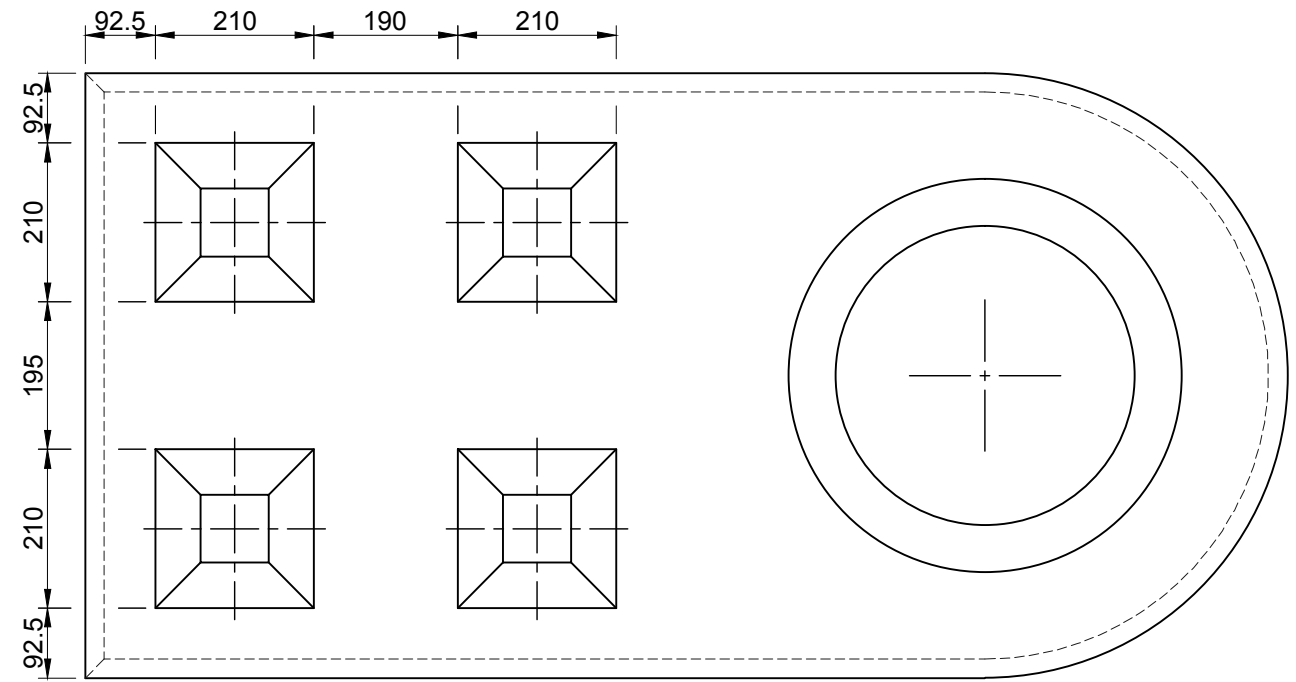
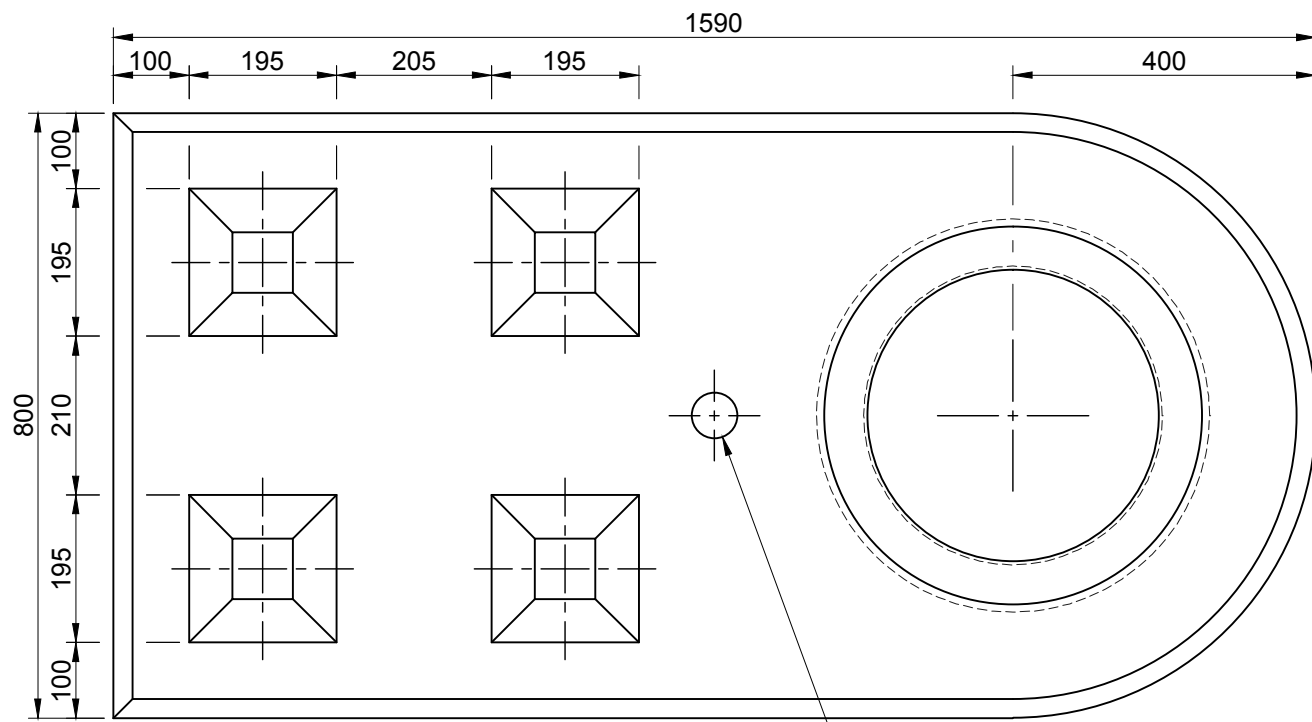
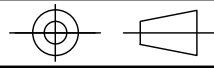
Elevation



REV	DATE	REASON FOR ISSUE	DRN	APP	REV	DATE	REASON FOR ISSUE	DRN	APP	
					O	07.03.14	For Information			
								CTC	RD	
TITLE :										
Legato™ Interlocking Foot Block 1600 x 800 x 800mm (M / F Connectors) Elite Product Code : LG Spreader					ELITE PRECAST CONCRETE LIMITED HALESFIELD 9, TELFORD SHROPSHIRE TF7 4QW					
DRN : CTC					CHKD : RD		DATE : 07-03-14		DRG SIZE : A3	
					SCALE: 1:10		DRG 156		REV O	



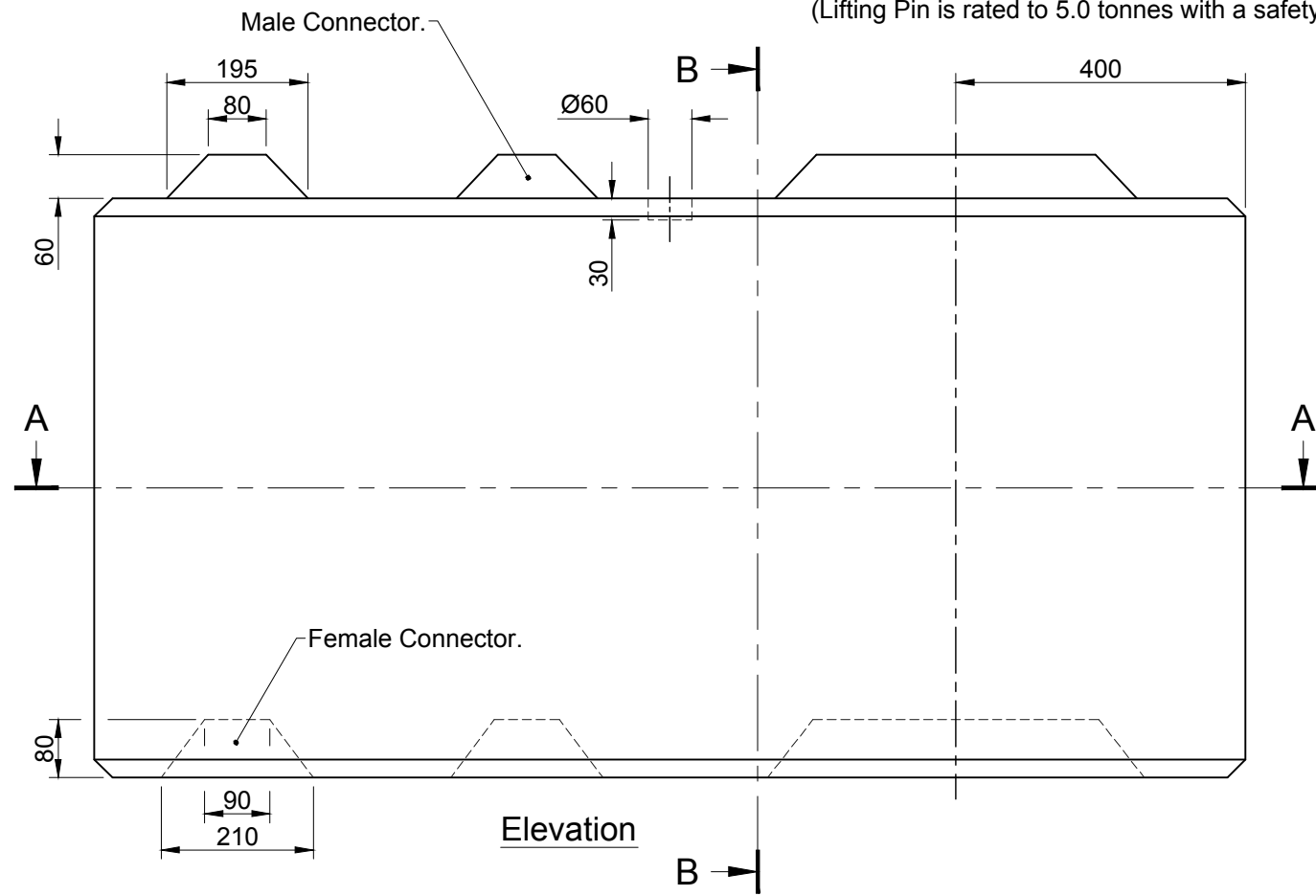
PROJECTION



Plan

Ø60mm Dia Semi-Spherical Recess in Gravitational Centre of Block for 'Deha' type Lifting Pin (n.b. Lifting Pin 180mm Long). (Lifting Pin is rated to 5.0 tonnes with a safety factor of 3).

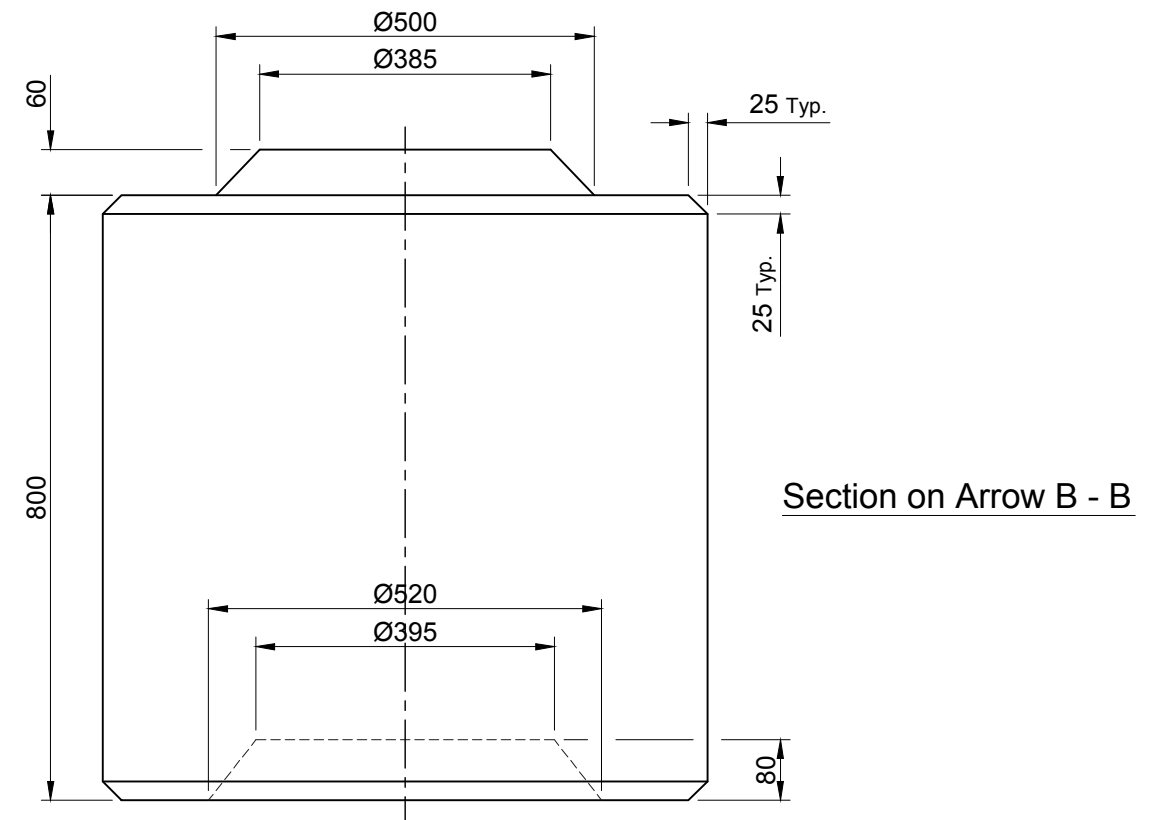
Section on Arrow A - A



Elevation

Total Block Weight : 2240Kg

Note :
Some details omitted for clarity.



Section on Arrow B - B

REV	DATE	REASON FOR ISSUE	DRN	APP	REV	DATE	REASON FOR ISSUE	DRN	APP
					O	09.01.15	For Information	CTC	RD
TITLE :									
Legato™ Interlocking Bend Block					ELITE PRECAST CONCRETE LIMITED				
1590 x 800 x 800mm (M / F Connectors)					HALESFIELD 9, TELFORD				
Elite Product Code : LG Bendi					SHROPSHIRE TF7 4QW				
DRN :	CTC	CHKD :	RD	DATE :	09-01-15	DRG SIZE :	A3	SCALE :	1:10
							DRG	188	REV
									O

