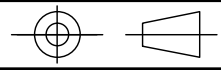
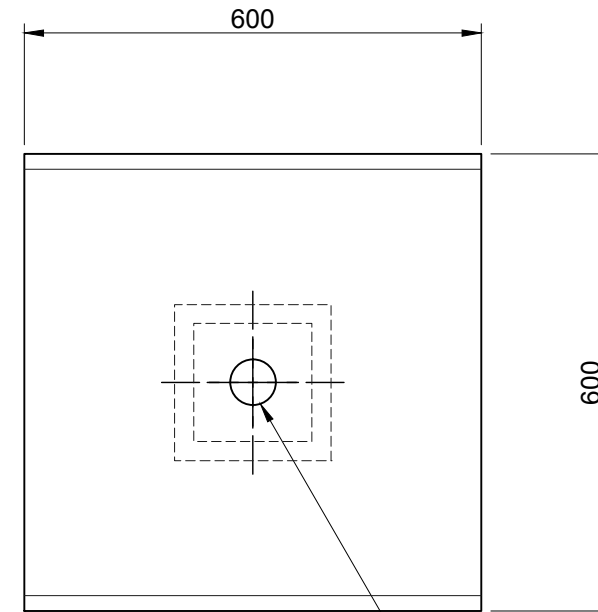


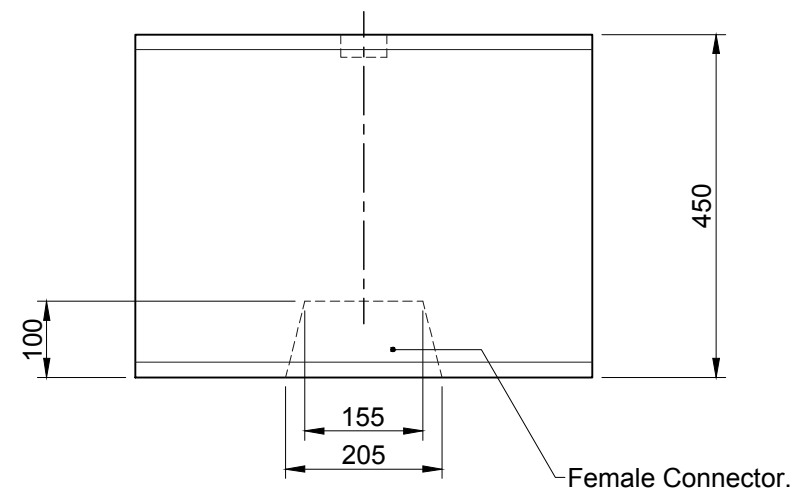
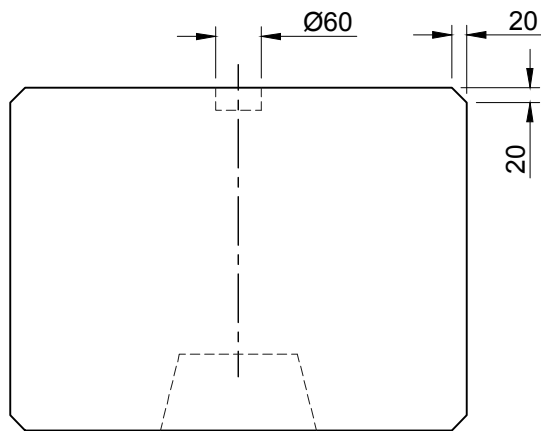
PROJECTION



Total Block Weight : 375Kg



Ø60mm Dia Semi-Spherical Recess in Gravitational Centre of Block for 'Deha' type Lifting Pin (n.b. Lifting Pin 180mm Long). (Lifting Pin is rated to 2.5 tonnes with a safety factor of 3).

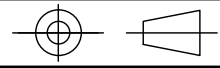


Female Connector.

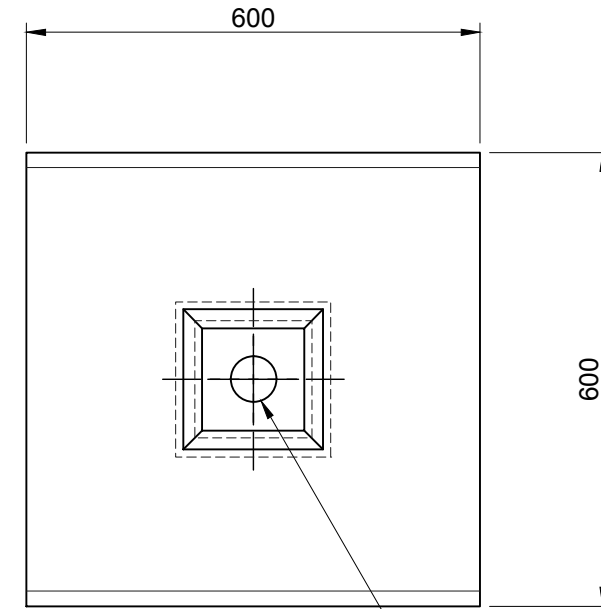
						O	17.12.14	For Information				CTC	RD	
REV	DATE	REASON FOR ISSUE	DRN	APP	REV	DATE	REASON FOR ISSUE	DRN	APP					
TITLE :					Duo™ Interlock Block 600 x 600 x 450mm (Female) Elite Product Code : BL1 (F)					ELITE PRECAST CONCRETE LIMITED HALESFIELD 9, TELFORD SHROPSHIRE TF7 4QW				
DRN :		CHKD :		DATE :		DRG SIZE :		SCALE :		DRG		REV		
CTC		RD		17-12-14		A3		1:10		186		O		



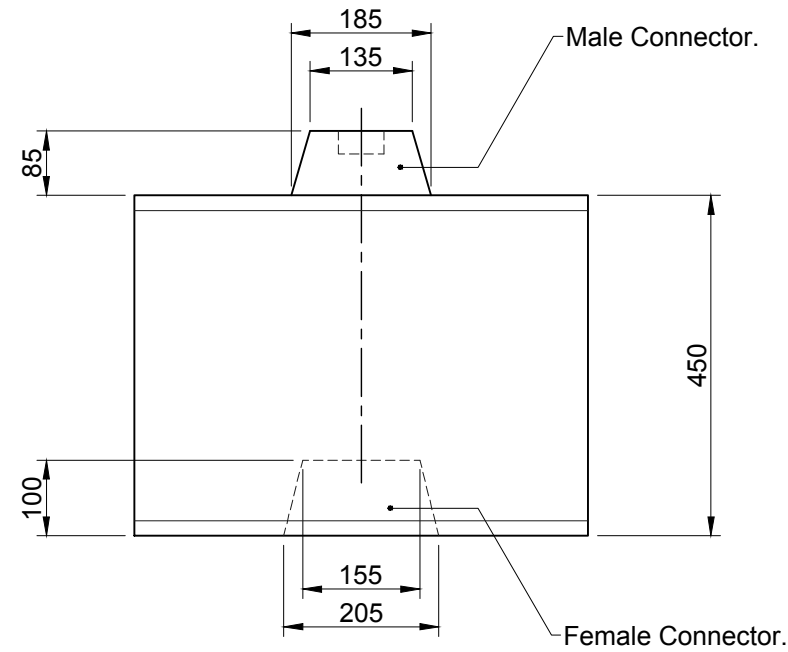
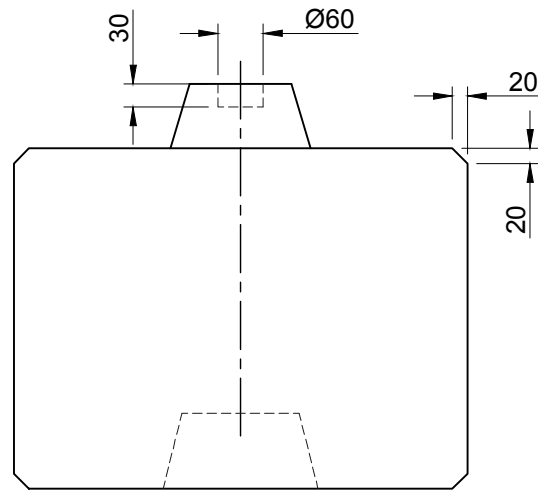
PROJECTION



Total Block Weight : 375Kg



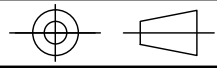
Ø60mm Dia Semi-Spherical Recess in Gravitational Centre of Block for 'Deha' type Lifting Pin (n.b. Lifting Pin 180mm Long). (Lifting Pin is rated to 2.5 tonnes with a safety factor of 3).



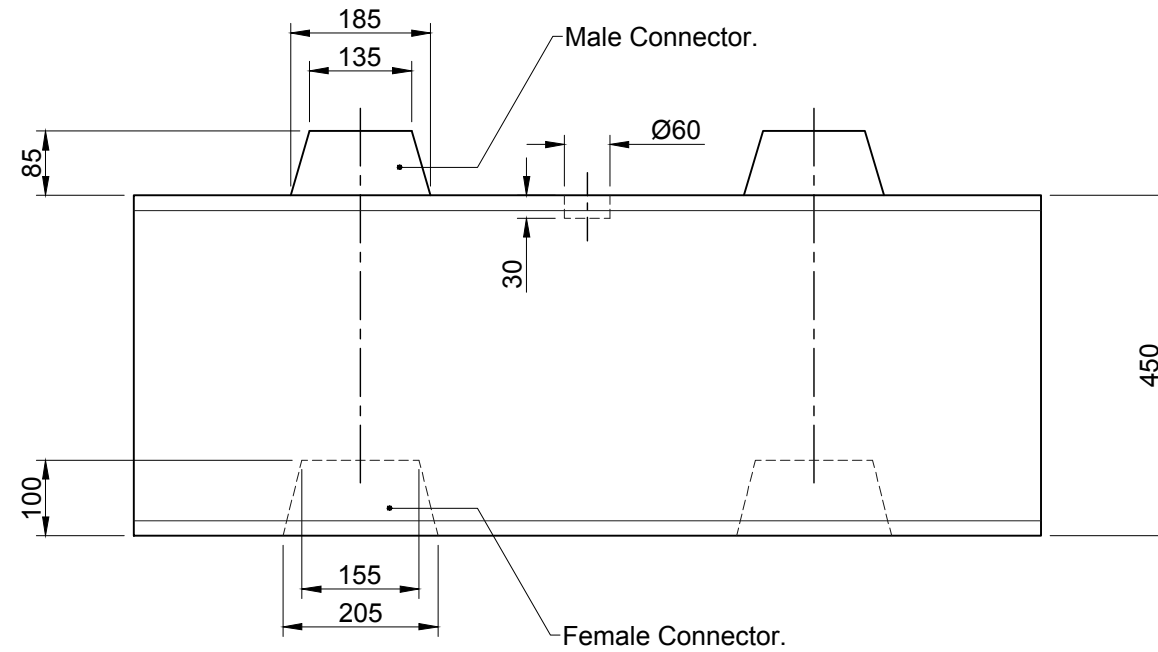
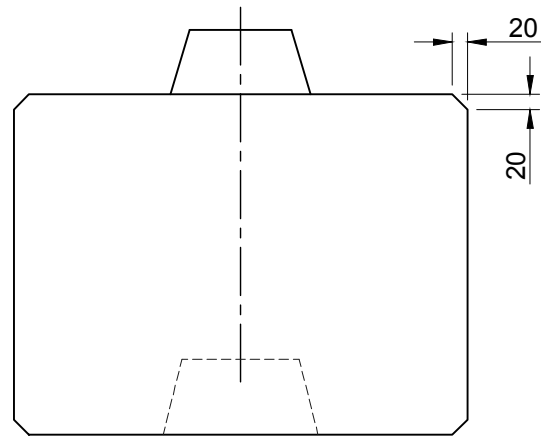
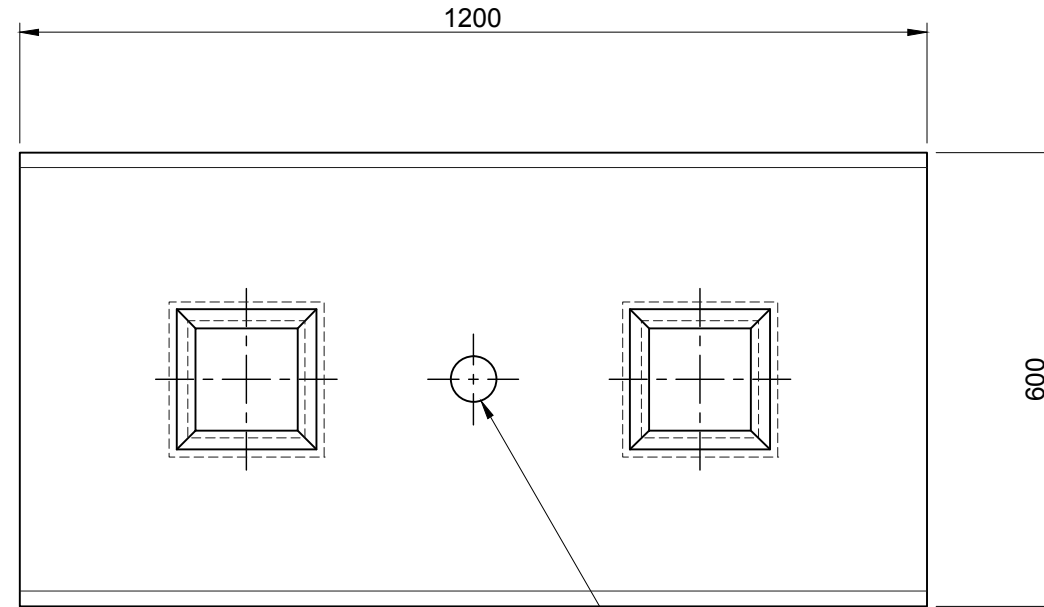
					O	31.10.13	For Information		CTC	RD	
REV	DATE	REASON FOR ISSUE		DRN	APP	REV	DATE	REASON FOR ISSUE	DRN	APP	
TITLE :					Duo™ Interlock Block 600 x 600 x 450mm Elite Product Code : BL1 also KL375			ELITE PRECAST CONCRETE LIMITED HALESFIELD 9, TELFORD SHROPSHIRE TF7 4QW			
DRN : CTC		CHKD : RD		DATE : 31-10-13		DRG SIZE : A3		SCALE : 1:10		DRG 073	REV O



PROJECTION



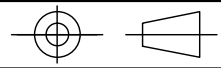
Total Block Weight : 750Kg



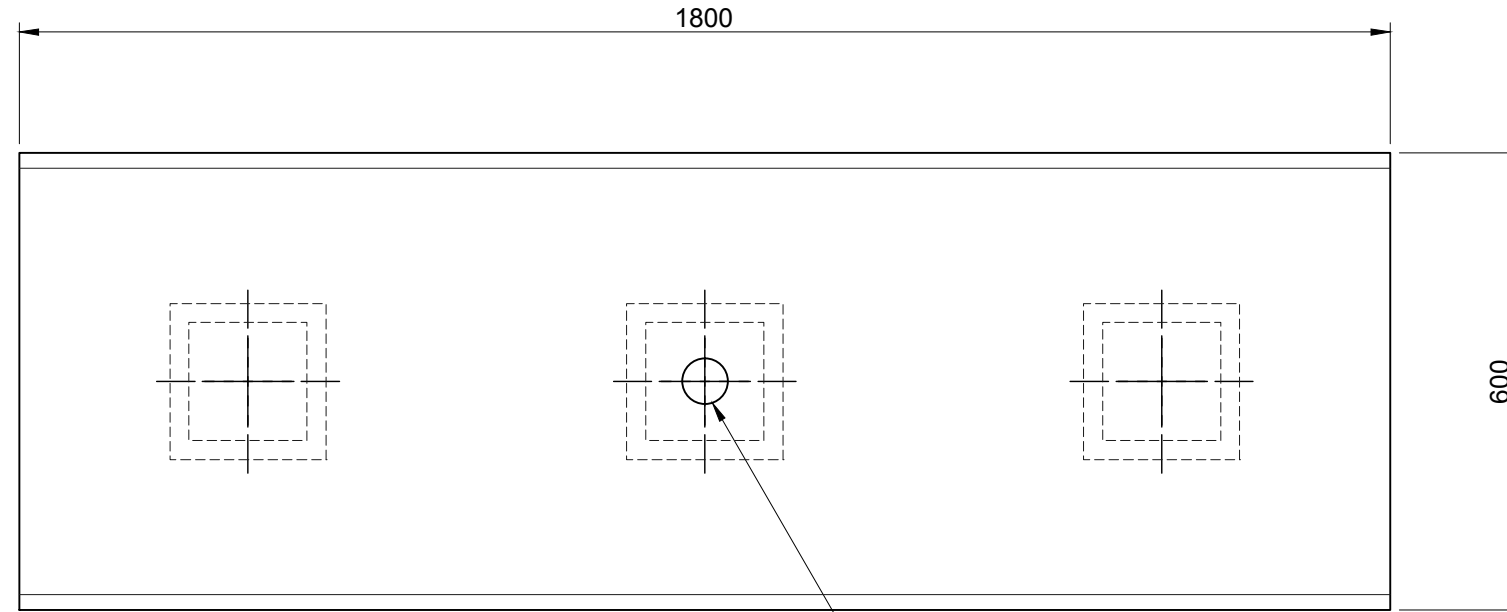
						O	31.10.13	For Information				CTC	RD	
REV	DATE	REASON FOR ISSUE			DRN	APP	REV	DATE	REASON FOR ISSUE			DRN	APP	
TITLE :					Duo™ Interlock Block 1200 x 600 x 450mm Elite Product Code : BL2 also KL750					ELITE PRECAST CONCRETE LIMITED HALESFIELD 9, TELFORD SHROPSHIRE TF7 4QW				
DRN : CTC				CHKD : RD		DATE : 31-10-13		DRG SIZE : A3		SCALE : 1:10		DRG 001		REV O



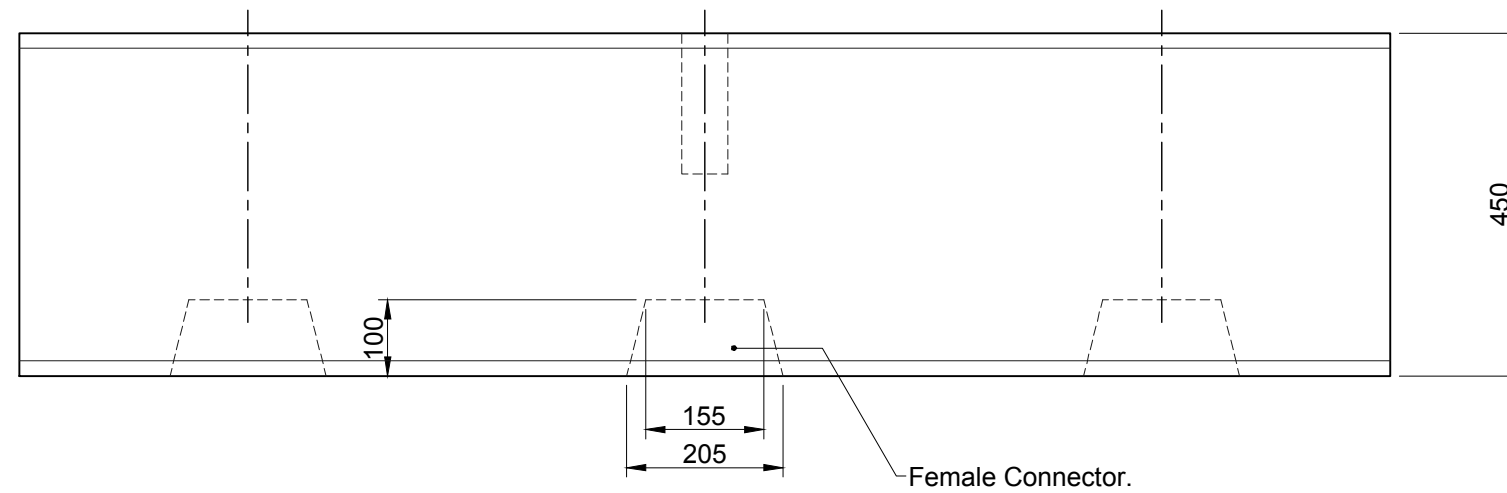
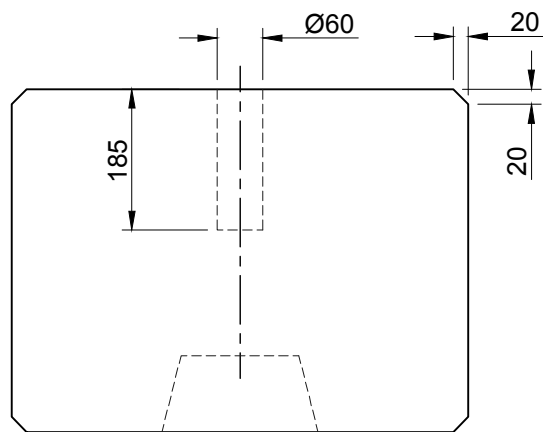
PROJECTION



Total Block Weight : 1125Kg Approx.



Ø60mm Dia Semi-Spherical Recess in Gravitational Centre of Block for 'Deha' type Lifting Pin (n.b. Lifting Pin 180mm Long). (Lifting Pin is rated to 2.5 tonnes with a safety factor of 3).

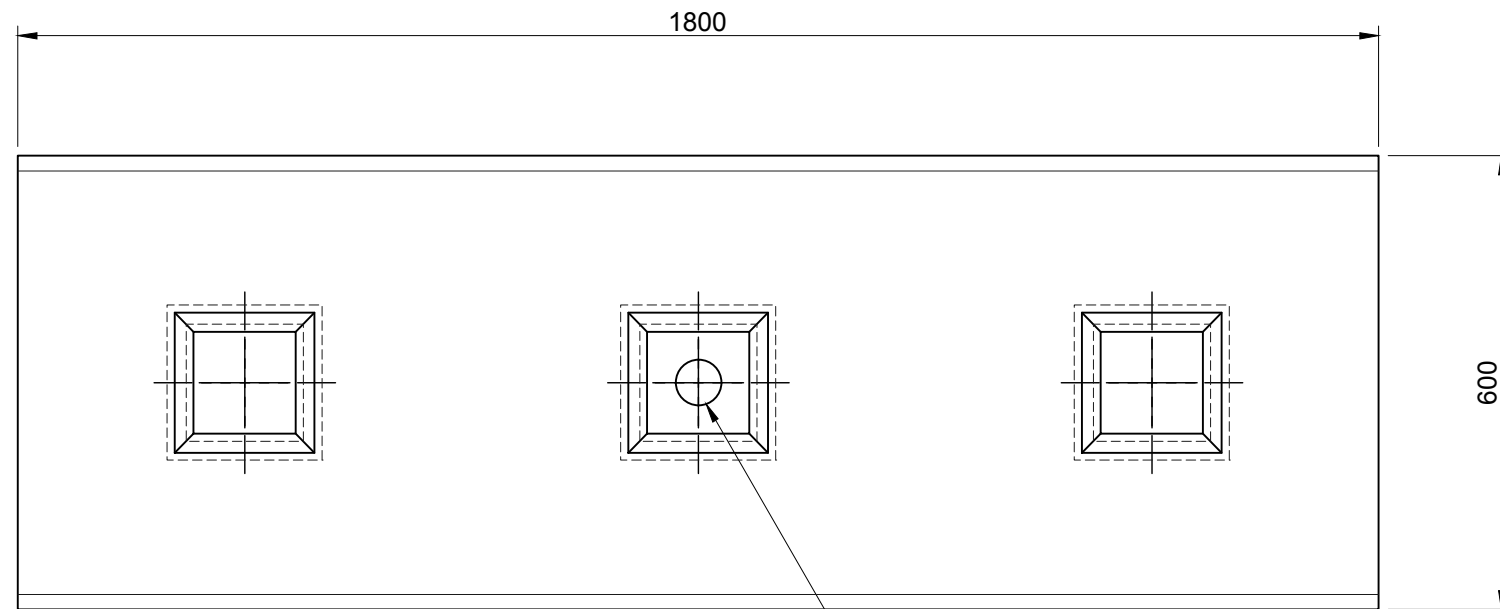


						O	17.12.14	For Information			CTC	RD	
REV	DATE	REASON FOR ISSUE	DRN	APP	REV	DATE	REASON FOR ISSUE	DRN	APP				
TITLE :						Duo™ Interlock Block 1800 x 600 x 450mm (Female) Elite Product Code : BL3 (F)			ELITE PRECAST CONCRETE LIMITED HALESFIELD 9, TELFORD SHROPSHIRE TF7 4QW				
DRN :	CTC	CHKD :	RD	DATE :	17-12-14	DRG SIZE :	A3	SCALE :	1:10	DRG	187	REV	O

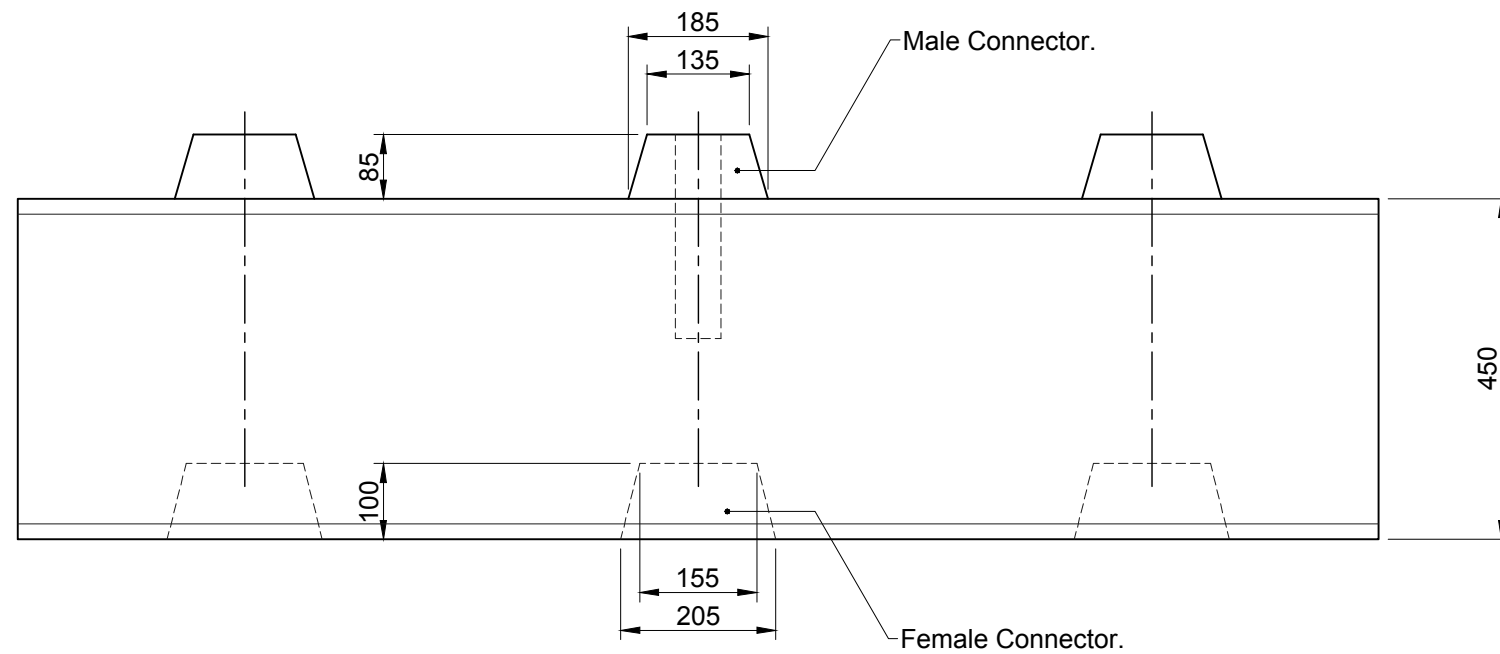
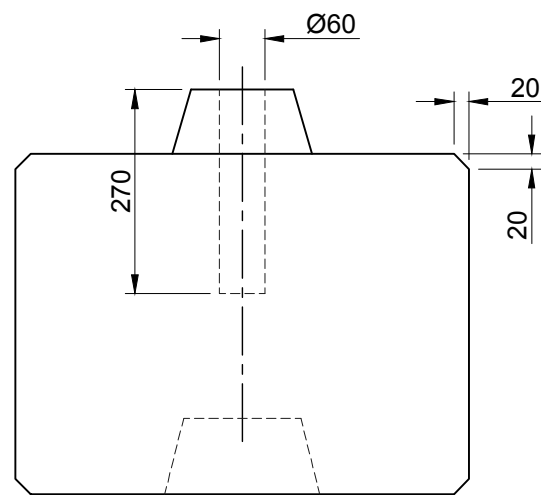
PROJECTION



Total Block Weight : 1125Kg Approx.



Ø60mm Dia Semi-Spherical Recess in Gravitational Centre of Block for 'Deha' type Lifting Pin (n.b. Lifting Pin 180mm Long). (Lifting Pin is rated to 2.5 tonnes with a safety factor of 3).



						O	31.10.13	For Information		CTC	RD		
REV	DATE	REASON FOR ISSUE			DRN	APP	REV	DATE	REASON FOR ISSUE			DRN	APP
TITLE :						Duo™ Interlock Block 1800 x 600 x 450mm Elite Product Code : BL3 also KL1125			ELITE PRECAST CONCRETE LIMITED HALESFIELD 9, TELFORD SHROPSHIRE TF7 4QW				
DRN :	CTC	CHKD :	RD	DATE :	31-10-13	DRG SIZE :	A3	SCALE :	1:10	DRG	098	REV	O