



# HERCULES TROMMELS

## Mobile Heavy Duty Trommel Screen



**CLEANING**

**SCALPING**

**SIZING**

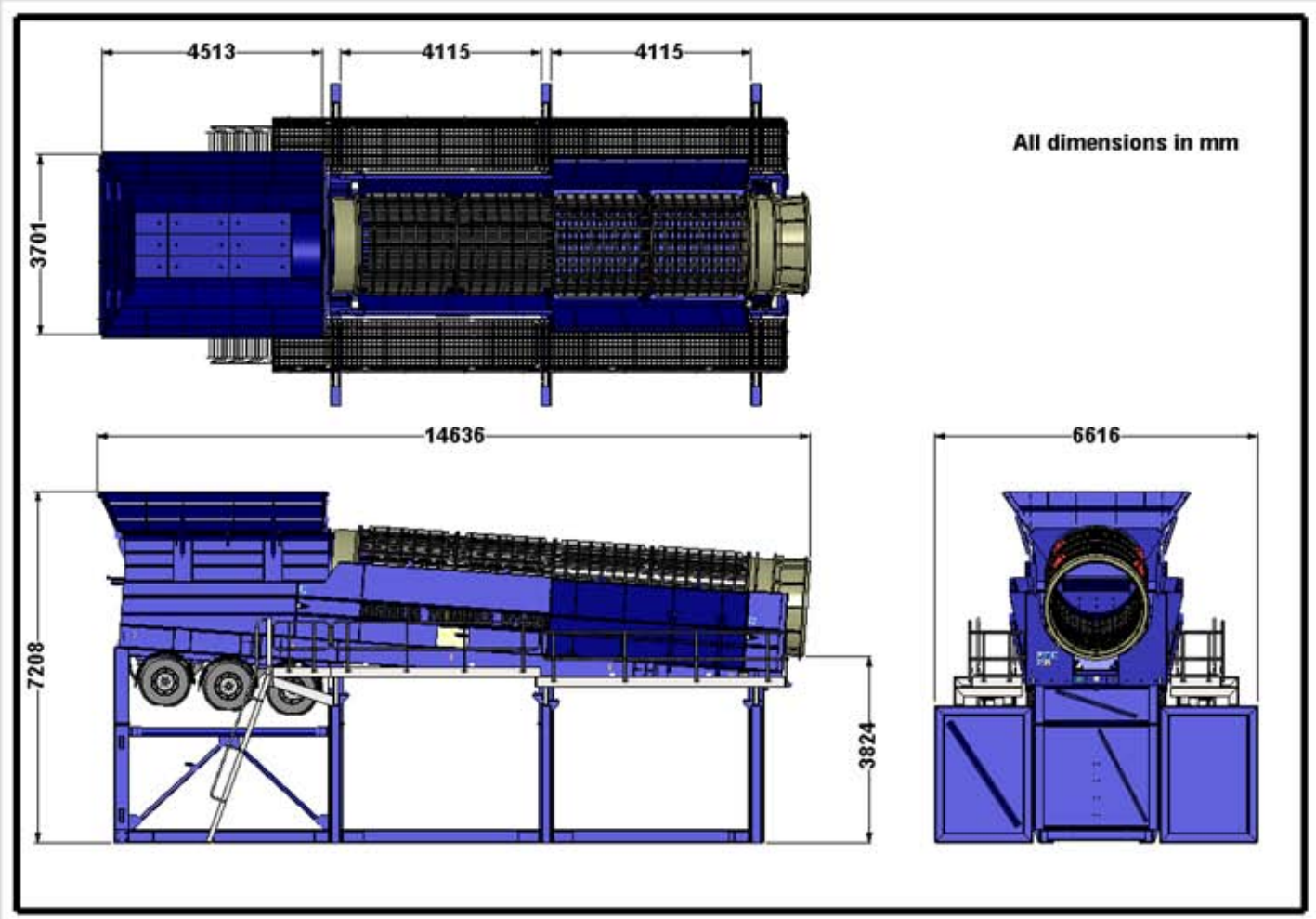
**RIP RAP**

**RECYCLIING**

**OVERBURDEN**

- \* Fully road towable.
- \* Quick and easy site set-up.
- \* Can be loaded from side or rear.
- \* Wear resistant hopper & feeder.
- \* Live drive barrel rotation.
- \* Long life rollers & roller paths.
- \* Quality designed and engineered.
- \* Low maintenance.
- \* High throughput.
- \* Hopper folds for travelling.
- \* Feed by wheel loader or excavator
- \* Reciprocating feeder.
- \* Heavy duty barrel design.
- \* Variable speed feeder & barrel.
- \* High reliability.
- \* No permanent operator required.
- \* High efficiency screening.

# Mobile Trommel HT182M



## Technical Data

Throughput	500 tonnes/hr	Total road weight	49 tonnes
Maximum feed size	900mm	Hydraulic powerpack	Electric or Diesel
Number of products	5	Optional extras	Fines chute
Hopper capacity	42 tonnes		Product chutes
Barrel diameter	1,800mm		Stockpile conveyor
Barrel segments	4 x 2,000mm		ABS braking
Maximum barrel opening	488mm		Side under run



**Stelex Construction Equipment Ltd**  
 Elms Lodge Barns, Melton Road,  
 Barrow upon Soar, Leics. LE12 8HX  
 Tel: +44 (0) 1509 416101  
 Fax: +44 (0) 1509 413754  
[info@herculestrommels.co.uk](mailto:info@herculestrommels.co.uk)  
[www.herculestrommels.co.uk](http://www.herculestrommels.co.uk)



**Stelex Construction Equipment Ltd**  
 Prees Industrial Estate, Prees  
 Whitchurch, Shropshire SY13 2DJ  
 Tel: +44 (0) 1948 840840  
 Fax: +44 (0) 1948 841147  
[info@herculestrommels.co.uk](mailto:info@herculestrommels.co.uk)  
[www.herculestrommels.co.uk](http://www.herculestrommels.co.uk)